

DOWNTOWN DESIGN REVIEW COMMITTEE AGENDA

Regular Meeting September 28, 2017

9:00 A.M.

**Planning Division, West Conference Room
214 South C Street, Oxnard**

A. ROLL CALL

B. PUBLIC COMMENTS – On items not on the Agenda

At this time, a person may address the Downtown Design Review Committee on matters within the jurisdiction of the Committee, including information/consent items and any item not appearing on the agenda. The Chairperson shall limit public comments to three (3) minutes. The Committee cannot enter into detailed discussion or take action on any item presented during public comments that is not on the agenda and such item may only be referred to staff for administrative action or scheduled on a subsequent agenda for discussion. Persons wishing to speak on agenda items should do so at the time the Committee considers the agenda item.

C. CONTINUED ITEM

Items which were previously agenzied and considered by DDRC.

1. None

D. NEW ITEMS

Applications filed for consideration and recommendations by DDRC to the Planning Manager.

1. Planning and Zoning Permit No. 17-110-03 (Downtown Design Review) - A request to repaint an existing ARCO fuel service station located at 700 South Oxnard Boulevard and rebrand with new signs. The proposed color tones consist of corporate ARCO colors consisting of off white (Benjamin Moore- Elephant Tusk #OC-8) with blue accent color (Benjamin Moore, Blueberry Hill #812). In accordance with Section 15301 (Existing Facilities), the proposed project is exempt from the California Environmental Quality Act. The property is listed in the Oxnard Historical Resources Survey with code 6Z (Not Eligible for National Register, California Register, or Local designation). Filed by Dave Bartl with AMD Enterprises, Inc.
 - Committee Review Attachment (Plan Sheets Include):
 - Sign Details, Elevations, Pictures, and Cross Sections
 - Google Earth Pictures
2. Planning and Zoning Permit No. 17-110-0 (Downtown Design Review) - A request to permit and install three business identification signs at 236 South Oxnard Boulevard (Audio Zone). Two signs consist of peg mounted (½ inch offset) router cut letters made of Lexan PVC material and third sign consists of wood routed cut letters. All letters follow the Times New Roman font style and all signs include orange and black paint borders for visual effect. In accordance with Section 15301 (Existing Facilities), the

MINUTES

DOWNTOWN DESIGN REVIEW COMMITTEE
REGULAR MEETING
August 24, 2017

A. ROLL CALL

At 9:08 a.m. the regular meeting of the Downtown Design Review Committee convened in the West Conference Room of the Service Center. Present: Gary Blum, Chair; Michael Faulconer, Vice Chair; Miguel Fernandez, Member; Roy W. Prince, Member; and Elizabeth White, Member. Absent: None. Staff members present: Kathleen Mallory, Planning Manager; Ken Rozell, Assistant City Attorney; Andrew Dickson, Code Compliance Inspector, and Juan Martinez, Associate Planner. Gary Blum, Chair presided and called the meeting to order.

B. PUBLIC COMMENTS – Items not on the Agenda
None

C. READING OF AGENDA
Chair, Gary Blum read the agenda

D. NEW ITEMS

1. Planning and Zoning Permit No. 17-110-02 (Downtown Design Review) - A request to permit two new signs with metal channel lettering with exposed neon on existing business (Julio's Insurance) located at 505 South Oxnard Boulevard. In accordance with Section 15301 (Existing Facilities), the proposed project is exempt from the California Environmental Quality Act. The property is listed in the Oxnard Historical Resources Survey with code 6Z (Not Eligible for National Register, California Register, or Local designation). Filed by Victor Rodriguez, with Vic's Neon Plus.

i. **DISCUSSION MINUTES**

1. Juan Martinez, Project Planner presented and went over plans, elevations, awnings and sign details filed with permit application.
2. Committee inquired if blade sign would be of interest. Business owner considered when going sign options with City staff; however, not interested and decided to proceed with exposed neon.

ii. **RECOMMEND APPROVAL 5/0/0** with the following recommendations:

1. Recommendation that condition of approval required that sign background walls be patched and painted as necessary prior to installation of new signs.
2. Recommended that applicant remove non permitted window signs.

Downtown Design Review Committee - MINUTES
Planning Division
September 28, 2017

E. CONCEPT REVIEW

None

F. STAFF BUSINESS

None

G. COMMITTEE BUSINESS

1. Approval of Minutes

i. Meeting of August 22, 2017. Approved as read

2. Committee did not received plans with agenda. Members requested that plans and review items be provided the week prior to the meeting, so that they have ample time to review project details.

i. Staff agreed that pdf copy of plans and review items would be emailed with agenda.

H. ADJOURNMENT

At 9:50 a.m., the Development Design Review Committee concurred to adjourn.

Gary Blum, Chair

ATTEST:

Juan Martinez, Associate Planner

proposed project is exempt from the California Environmental Quality Act. The property is listed in the Oxnard Historical Resources Survey with code 6Z (Not Eligible for National Register, California Register, or Local designation). Filed by Juan Avalos, with Audio Zone.

E. CONCEPT REVIEW

Opportunity for members of the public, architects, or staff to present and secure conceptual input on a project which may be submitted for DDRC consideration in the future.

1. None

F. STAFF BUSINESS

Items and information staff determines should be presented to DDRC.

1. None

G. COMMITTEE BUSINESS

Approval of minutes and round table of Committee items relevant to member role on DDRC. Discussion intended to be no longer than 10 minutes.

1. Minutes for August 24, 2017 DDRC meeting

H. ADJOURNMENT

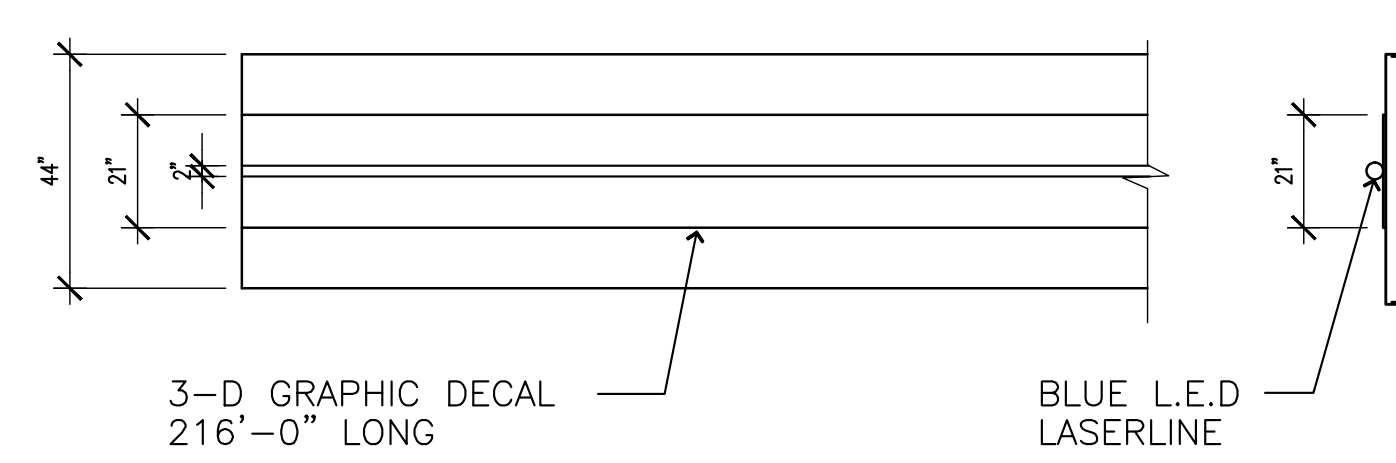
Future DDRC Meeting Dates (as needed): October 12th and 26th



EXISTING MONUMENT SIGN

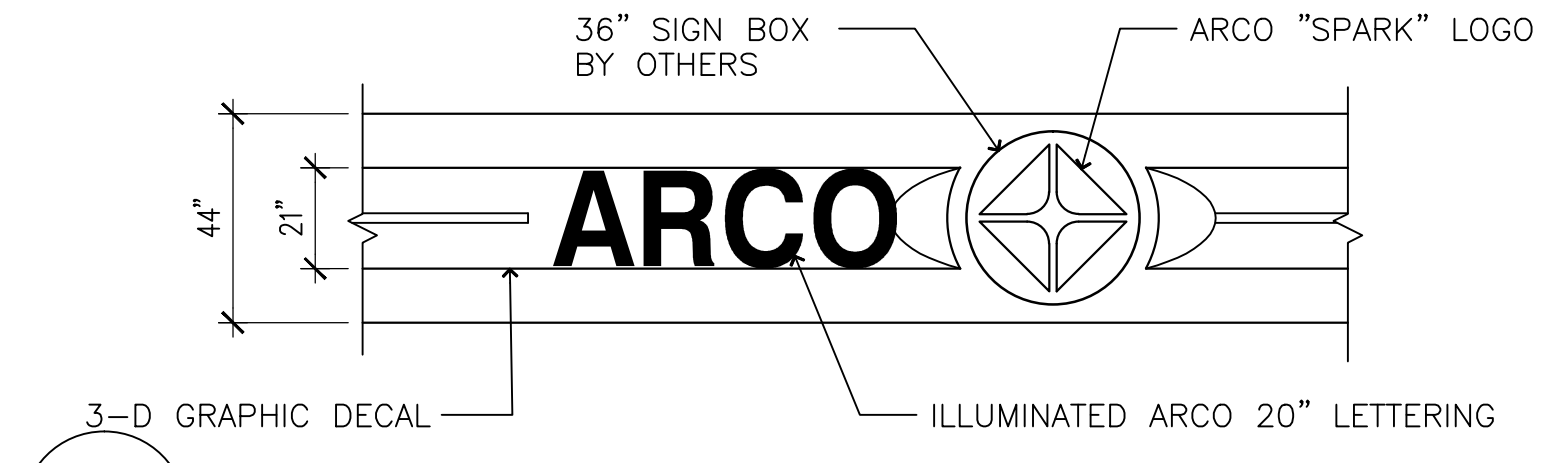


PROPOSED MONUMENT SIGN



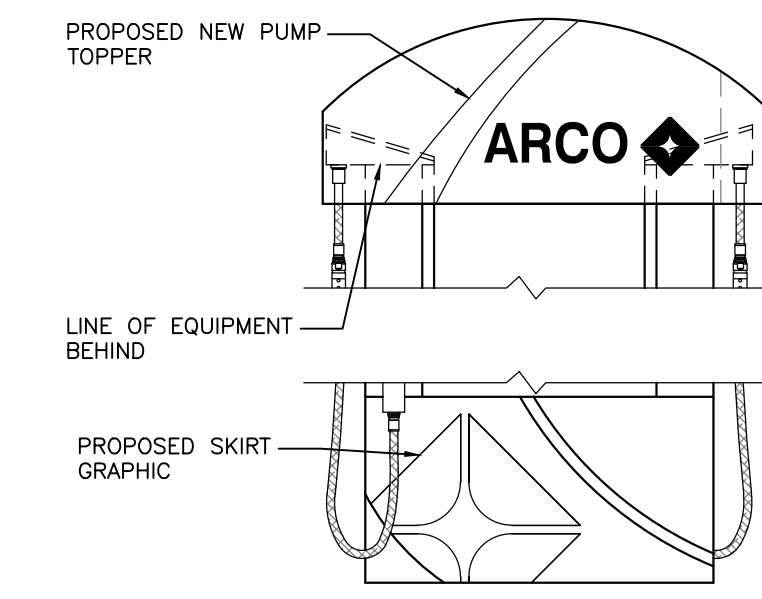
D PROPOSED CANOPY 3-D DECAL

SCALE: NONE



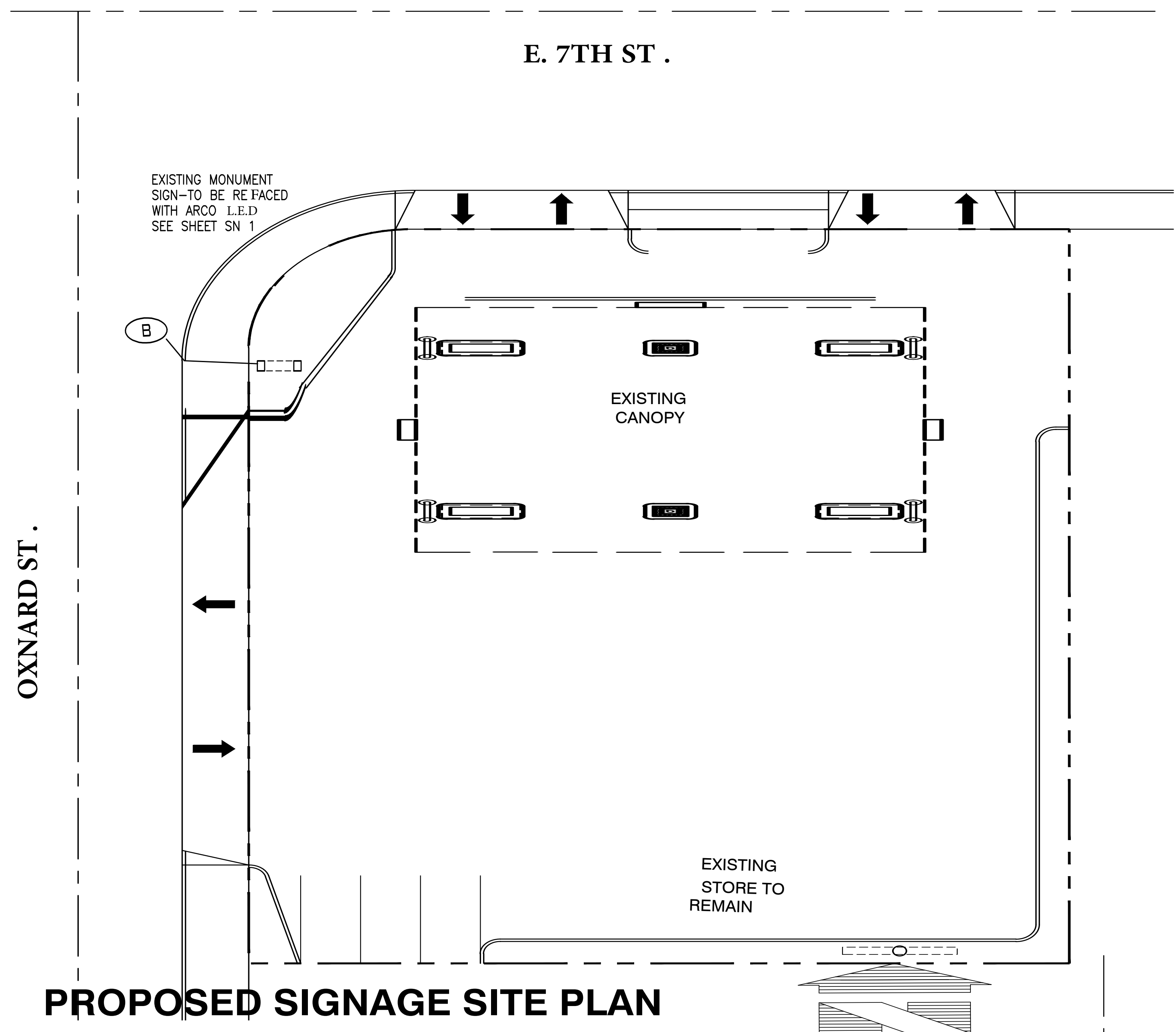
C PROPOSED SPARK AND ARCO LOGO

SCALE: NONE



F PROPOSED NEW PUMP TOPPERS

SCALE: 1/2" = 1'-0"



PROPOSED SIGNAGE SITE PLAN



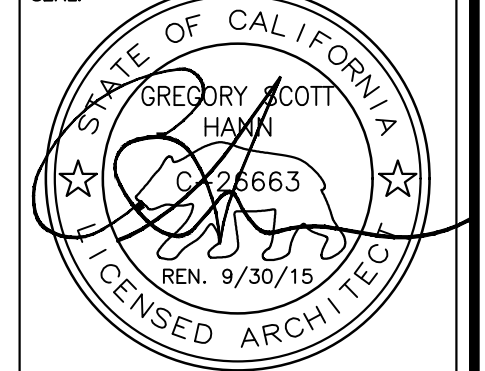
6708 Foothill Blvd, Suite#207
Tujunga, CA 91020 Lic#1003167
Tel:(818) 353-7195 (800)700-8722
Fax:(818)353-0989

All ideas, designs and layouts shown on these drawings, including all documents or electronic media are the property of Trac design group, and are intended to be used in connection with this specific project only and shall not otherwise be used for any purpose whatsoever without the written consent, and may not be reproduced or used without the written permission of Trac design group. All rights reserved.



ARCO
700 S. OXNARD BLVD.
OXNARD, CA 93030

Architect of Record:
GREGORY S. HANN, AIA
24861 WASHINGTON AVE.
MURRIETA, CA 92562
TEL: 951-696-1490
CEL: 951-809-7601
FAX: 951-696-1443
E-MAIL: ghann@empiregr.biz



Date: JULY 29, 2014
Project Number: EDG# 04169

| NO. | DATE | REVISION DESCRIPTION |
|-----|----------|-----------------------------|
| △ | 08/2014 | PLANNING DRT |
| △ | 09/2014 | PLANNING DRT CUPO3700 |
| △ | 10/2014 | BAS 1ST - AS14015A |
| △ | 06/2015 | BAS 2ND - AS14015B |
| △ | 07/2015 | BAS 3ND - AS14015B |
| △ | 02/2016 | EXPRESS CAR WASH REVISIONS |
| △ | 04/2016 | UNDERGROUND WATER REVISIONS |
| △ | 04/16/16 | BUILDING DEPT. CORRECTIONS |

DESIGNED BY: GH
CHECKED BY: GH
DRAWN BY: AH
DRAWING TITLE:

SIGNAGE SUMMARY

SHEET NO:

SN 1

NEW PROPOSED CANOPY SIGNAGE



STILL MAINTAINING THE ARCHITECTURAL DESIGN OF THE CANOPY



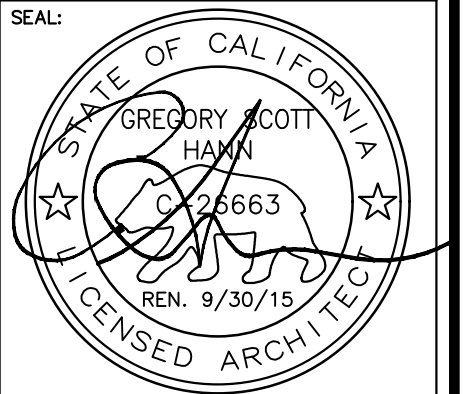
6708 Foothill Blvd, Suite#207
Tujunga, CA 91020 Lic#1003167
Tel:(818) 353-7195 (800)700-8722
Fax:(818)353-0989

All ideas, designs and layouts shown on these drawings, including all documents or electronic media are the property of TRAC design group, and are intended to be used in connection with this specific project only and shall not otherwise be used for any purpose whatsoever without the written consent, and may not be reproduced or used without the written permission of TRAC design group. All rights reserved.



ARCO
700 S. OXNARD BLVD.
OXNARD, CA 93030

Architect of Record:
GREGORY S. HANN, AIA
24861 WASHINGTON AVE.
MURRIETA, CA 92562
TEL: 951-696-1490
CEL: 951-809-7601
FAX: 951-696-1443
E-MAIL: ghann@empiregr.biz



Date: JULY 29, 2014

Project Number: EDG# 04169

| NO. | DATE | REVISION DESCRIPTION |
|-----|----------|-----------------------------|
| △ | 08/2014 | PLANNING DRT |
| △ | 09/2014 | PLANNING DRT CU03700 |
| △ | 10/2014 | BAS 1ST - AS140115A |
| △ | 06/2015 | BAS 2ND - AS140115B |
| △ | 07/2015 | BAS 3RD - AS140115B |
| △ | 02/2016 | EXPRESS CAR WASH REVISIONS |
| △ | 04/2016 | UNDERGROUND WATER REVISIONS |
| △ | 04/16/16 | BUILDING DEPT. CORRECTIONS |

DESIGNED BY: GH
CHECKED BY: GH
DRAWN BY: AH

DRAWING TITLE:

SIGNAGE SUMMARY

SHEET NO:

SN 1

PAINT: EXISTING PRICE SIGN WALL

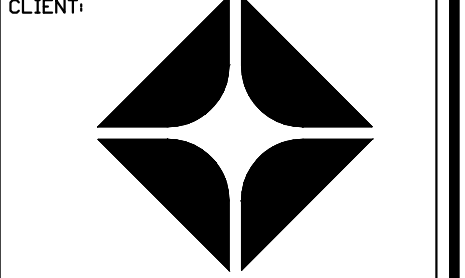


PROPOSED PRICE SIGN WALL



6708 Foothill Blvd, Suite#207
Tujunga, CA 91020 Lic#1003167
Tel:(818) 353-7195 (800)700-8722
Fax:(818)353-0989

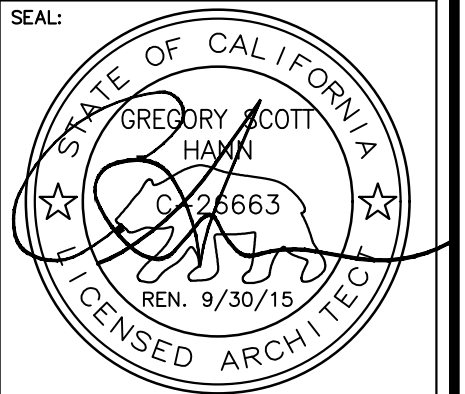
All ideas, designs and layouts shown on these drawings, including all documents or electronic media are the property of Trac design group, and are intended to be used in connection with this specific project only and shall not otherwise be used for any purpose whatsoever without the written consent, and may not be reproduced or used without the written permission of Trac design group. All rights reserved.



ARCO
BP WEST COAST PRODUCTS, LLC

ARCO
700 S. OXNARD BLVD
OXNARD, CA 93030

Architect of Record:
GREGORY S. HANN, AIA
24861 WASHINGTON AVE.
MURRIETA, CA 92562
TEL: 951-696-1490
CEL: 951-809-7601
FAX: 951-696-1443
E-MAIL: ghann@empiregr.biz



Date: JULY 29, 2014

Project Number: EDG# 04169

| NO. | DATE | REVISION DESCRIPTION |
|-----|----------|-----------------------------|
| △ | 08/2014 | PLANNING DRT |
| △ | 09/2014 | PLANNING DRT CU03700 |
| △ | 10/2014 | BAS 1ST - AS14015A |
| △ | 06/2015 | BAS 2ND - AS14015B |
| △ | 07/2015 | BAS 3ND - AS14015B |
| △ | 02/2016 | EXPRESS CAR WASH REVISIONS |
| △ | 04/2016 | UNDERGROUND WATER REVISIONS |
| △ | 04/16/16 | BUILDING DEPT. CORRECTIONS |

DESIGNED BY: GH
CHECKED BY: GH
DRAWN BY: AH

DRAWING TITLE:

SIGNAGE
SUMMARY

SHEET NO:

SN 1

BLUEBERRY HILL:



ELEPHANT TUSK:

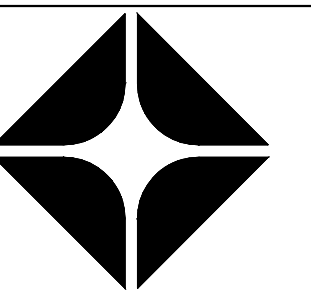


TRAC

6708 Foothill Blvd, Suite#207
Tujunga, CA 91020 Lic#1003167
Tel:(818) 353-7195 (800)700-8722
Fax:(818)353-0989

All ideas, designs and layouts shown on these drawings, including all documents or electronic media are the property of Trac design group, and are intended to be used in connection with this specific project only and shall not otherwise be used for any purpose whatsoever without the written consent, and may not be reproduced or used without the written permission of Trac design group. All rights reserved.

CLIENT:

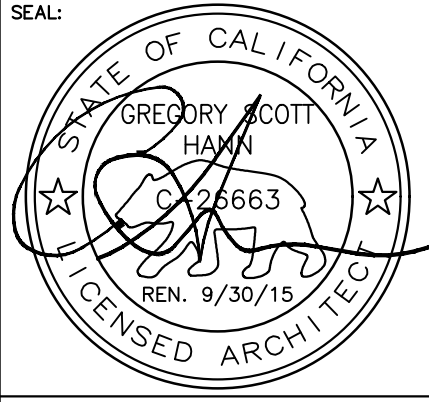


ARCO

BP WEST COAST PRODUCTS, LLC

ARCO
700 S OXNARD BLVD
OXNARD, CA 93030

Architect of Record:
GREGORY S. HANN, AIA
24861 WASHINGTON AVE.
MURRIETA, CA 92562
TEL: 951-696-1490
CEL: 951-809-7601
FAX: 951-696-1443
E-MAIL: ghann@empiregr.biz



Date: JULY 29, 2014

Project Number: EDG# 04169

| NO. | DATE | REVISION DESCRIPTION |
|-----|----------|-----------------------------|
| △ | 08/2014 | PLANNING DRT |
| △ | 09/2014 | PLANNING DRT CUPO3700 |
| △ | 10/2014 | BAS 1ST - AS14015A |
| △ | 06/2015 | BAS 2ND - AS14015B |
| △ | 07/2015 | BAS 3RD - AS14015C |
| △ | 02/2016 | EXPRESS CAR WASH REVISIONS |
| △ | 04/2016 | UNDERGROUND WATER REVISIONS |
| △ | 04/16/16 | BUILDING DEPT. CORRECTIONS |

DESIGNED BY: GH
CHECKED BY: GH
DRAWN BY: AH

DRAWING TITLE:

SIGNAGE SUMMARY

SHEET NO:

SN 1

PROPOSED PAINT FOR BUILDING



EXISTING BUILDING



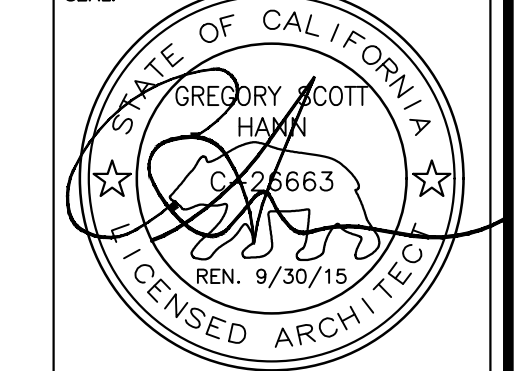
6708 Foothill Blvd, Suite#207
Tujunga, CA 91020 Lic#1003167
Tel:(818) 353-7195 (800)700-8722
Fax:(818)353-0989

All ideas, designs and layouts shown on these drawings, including all documents or electronic media are the property of Trac design group, and are intended to be used in connection with this specific project only and shall not otherwise be used for any purpose whatsoever without the written consent, and may not be reproduced or used without the written permission of Trac design group. All rights reserved.



ARCO
700 S OXNARD BLVD
OXNARD, CA 93030

Architect of Record:
GREGORY S. HANN, AIA
24861 WASHINGTON AVE.
MURRIETA, CA 92562
TEL: 951-696-1490
CEL: 951-809-7601
FAX: 951-696-1443
E-MAIL: ghann@empiregr.biz



Date: JULY 29, 2014
Project Number: EDG# 04169

| NO. | DATE | REVISION DESCRIPTION |
|-----|----------|-----------------------------|
| 1 | 08/2014 | PLANNING DRT |
| 2 | 09/2014 | PLANNING DRT CUPO3700 |
| 3 | 10/2014 | BAS 1ST - AS14015A |
| 4 | 06/2015 | BAS 2ND - AS14015B |
| 5 | 07/2015 | BAS 3RD - AS14015B |
| 6 | 02/2016 | EXPRESS CAR WASH REVISIONS |
| 7 | 04/2016 | UNDERGROUND WATER REVISIONS |
| 8 | 04/16/16 | BUILDING DEPT. CORRECTIONS |

DESIGNED BY: GH
CHECKED BY: GH
DRAWN BY: AH

DRAWING TITLE:

SIGNAGE SUMMARY

SHEET NO:

SN 1

PROPOSED PAINT FOR CANOPY

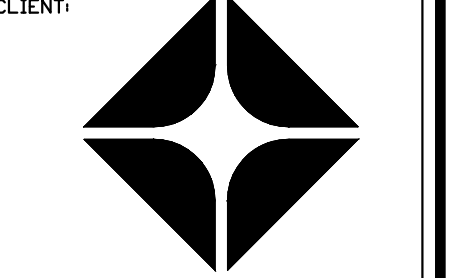


EXISTING



6708 Foothill Blvd, Suite#207
Tujunga, CA 91020 Lic#1003167
Tel:(818) 353-7195 (800)700-8722
Fax:(818)353-0989

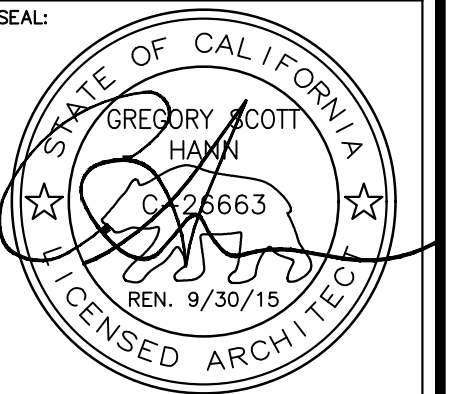
All ideas, designs and layouts shown on these drawings, including all documents on electronic media are the property of Trac design group, and are intended to be used in connection with this specific project only and shall not otherwise be used for any purpose whatsoever without the written consent, and may not be reproduced or used without the written permission of Trac design group. All rights reserved.



BP WEST COAST PRODUCTS, LLC

ARCO
700 S OXNARD BLVD
OXNARD, CA 93030

Architect of Record:
GREGORY S. HANN, AIA
24861 WASHINGTON AVE.
MURRIETA, CA 92562
TEL: 951-696-1490
CEL: 951-809-7601
FAX: 951-696-1443
E-MAIL: ghann@empiregr.biz



Date: JULY 29, 2014

Project Number: EDG# 04169

| NO. | DATE | REVISION DESCRIPTION |
|-----|----------|-----------------------------|
| 1 | 08/2014 | PLANNING DRT |
| 2 | 09/2014 | PLANNING DRT CUPO3700 |
| 3 | 10/2014 | BAS 1ST - AS14015A |
| 4 | 06/2015 | BAS 2ND - AS14015B |
| 5 | 07/2015 | BAS 3RD - AS14015B |
| 6 | 02/2016 | EXPRESS CAR WASH REVISIONS |
| 7 | 04/2016 | UNDERGROUND WATER REVISIONS |
| 8 | 04/16/16 | BUILDING DEPT. CORRECTIONS |

DESIGNED BY: GH
CHECKED BY: GH
DRAWN BY: AH

DRAWING TITLE:

SIGNAGE SUMMARY

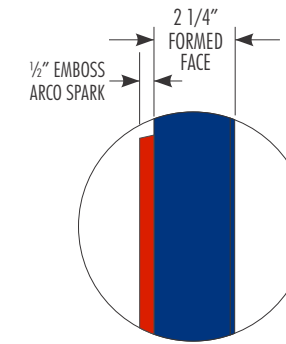
SHEET NO:

SN 1

ARCO



NIGHT ILLUMINATION VIEW



DETAIL A

SignResource
IDENTITY GROUP
6135 District Blvd • Maywood, CA 90270
800.423.4283 • Fax 323.560.7143
Website: www.signresource.com

REVISION HISTORY:

| REV | DATE | REQUESTED BY | UPDATED BY |
|-----|----------|--------------|------------|
| — | 02/27/17 | T.GORDON | D.Q. |

REVISION DESCRIPTION:
INITIAL DRAWING RELEASE

**DO NOT MANUFACTURE
LAYOUT TO BE VERIFIED**

PARTS LIST:

| ITEM | DECORATION |
|------|------------|
| A | PMS 288C |
| B | PMS 485 |
| C | WHITE |
| D | BLOCK OUT |
| E | |
| F | |
| G | |

MATERIAL LIST

| | |
|---|--------------|
| 1 | PLASTIC FACE |
| 2 | |

SECOND SURFACE DECORATION

GENERAL NOTES

- TOLERANCE (UNLESS NOTED)
- GRAPHICS +/- 1/8" • FACE SIZE + 1/16" - 1/4"
- CABINET +/- 1/8" • VINYL OVERLAP + 1/8" + 1/16"
- ALL COPY LEVEL UNLESS NOTED OTHERWISE
- VIEWING DISTANCE 25' TO 50' UNLESS NOTED OTHERWISE
- PMS COLOR CALLOUT INDICATES USE OF SPRAYLAT MIX SYSTEM
- NO DEVIATION OR MATERIAL SUBSTITUTION WITHOUT EQN.
- ALL ELECTRICAL SIGNS TO COMPLY WITH UL 48

DESCRIPTION
**2' x 5' APPROX.
FORMED
REPLACEMENT FACE**

VOLTAGE: CIRCUIT: CURRENT: DESIGN LOAD:

DRAWN BY: CHECKED BY:
DOMCHE RAY A.

CLIENT: **ARCO**

LOCATION: OXNARD 3805-25-1

QUOTE: 264008 DATE: 02/27/2017

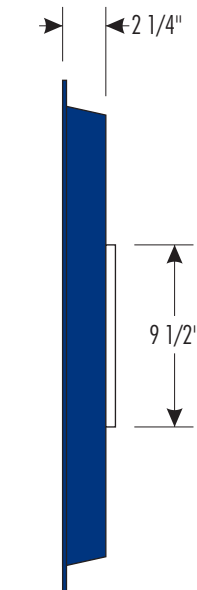
DRAWING/PART # REV. SHEET #
ATY-0348 — **1 OF 1**

APPROVAL SIGNATURE

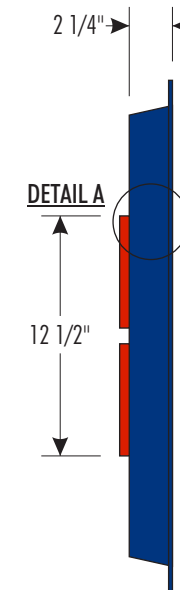
By signing, you are validating the dimensions and graphic provided to SignResource and/or you are handling your own installation.



FRONT VIEW
CABINET SIZE: 27" X 61"
6" RADIUS



SIDE VIEW



SIDE VIEW

This document reflects trade secrets and confidential business information, and may not be copied, published, or disseminated in any manner without the prior express written approval of SignResource. All rights reserved, including patent, trademark and copyright.



Sign Cabinet and Face Information

Site Address 700 S. Oxnard St City Oxnard State CA Page 2 of 4

FACE PROPERTIES : MAIN ID

FACE MATERIAL (CHECK ONE) PLASTIC FLEXIBLE METAL

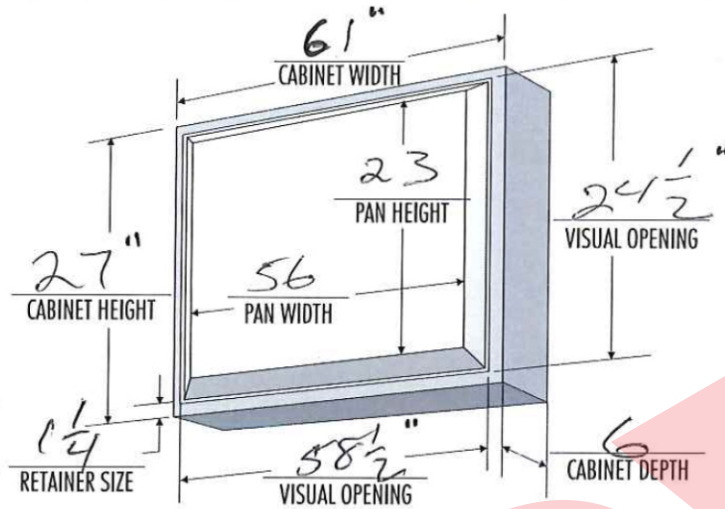
PAN FORMED (CHECK ONE) YES- DEPTH 2 1/4 NO

EMBOSSED GRAPHIC (CHECK ONE) YES NO

EMBOSSED COPY (CHECK ONE) YES NO

SIGN COPY ARCO SINGLE FACE SIGN DOUBLE FACE SIGN

OTHER COMMENTS Radius Corner 6"



SUR



unleaded gasoline



unl. plus gasoline

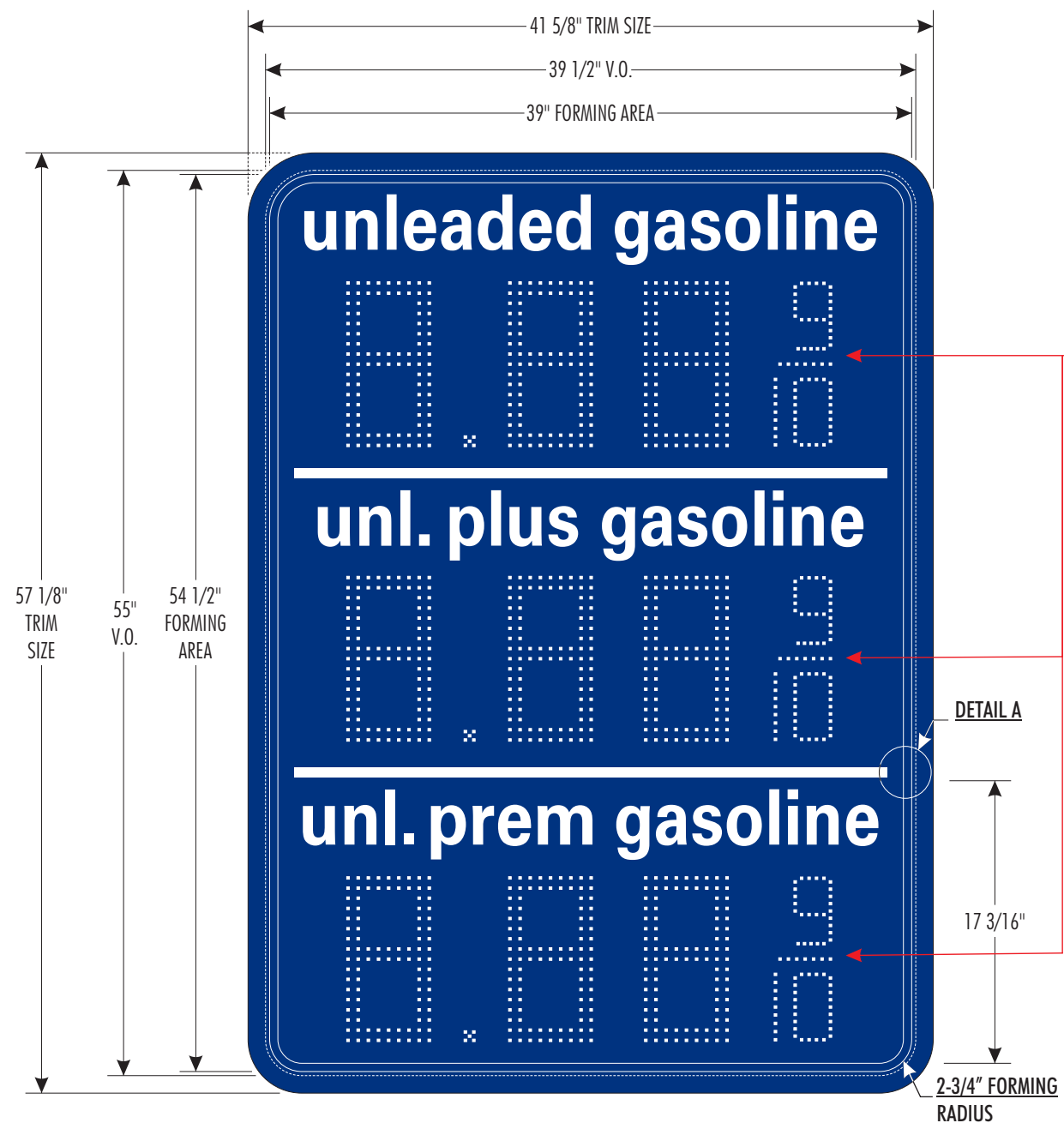


unl. prem gasoline

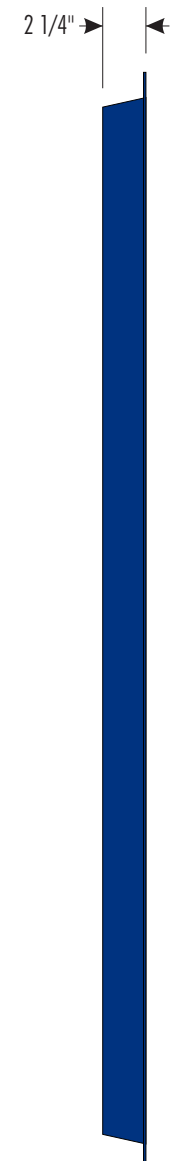


NIGHT ILLUMINATION VIEW

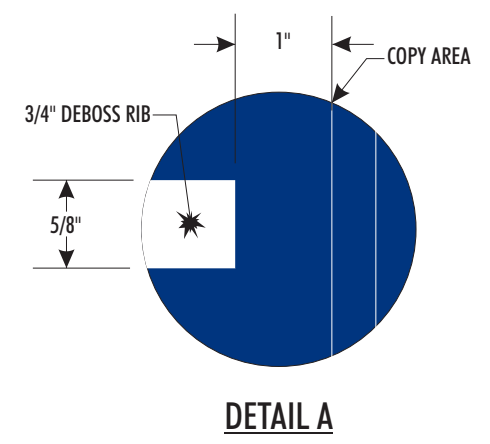
PRODUCT COPY
WHITE COPY ON BLUE OPAQUE BACKGROUND
3 3/8" unleaded gasoline



FRONT VIEW
CABINET SIZE: 57-1/2" X 42"
4-1/4" RADIUS



SIDE VIEW



10" WHITE PWM LEDS

APPROVAL SIGNATURE

By signing, you are validating the dimensions and graphic provided to SignResource and/or you are handling your own installation.

REVISION HISTORY:

| REV | DATE | REQUESTED BY | UPDATED BY |
|-----------------------------------------------|----------|--------------|------------|
| A | 02/27/17 | T.GORDON | D.Q. |
| REVISION DESCRIPTION: INITIAL DRAWING RELEASE | | | |
| B | 03/15/17 | T.GORDON | RA |
| REVISION DESCRIPTION: ADDED WHITE LEDS | | | |

**DO NOT MANUFACTURE
K PART # NEEDED**

PARTS LIST:

| ITEM | DECORATION |
|------|------------|
| A | PMS 288C |
| B | WHITE |
| C | BLOCK OUT |
| D | |
| E | |
| F | |
| G | |

MATERIAL LIST

| | |
|---|--------------|
| 1 | PLASTIC FACE |
| 2 | |

SECOND SURFACE DECORATION
NOTE: WEIGHTS AND MEASURES
Weights and Measures requirements vary by State, County and Municipality. It is the responsibility of the customer to confirm that these graphics are compliant with all local Regulations, Statutes and Ordinances. Compliance must be confirmed by the party obtaining the permit. SignResource is not liable for misinterpretation of local Weights and Measures requirements or any rule changes that may occur after the order has been placed.
If permitting and installation is provided by SignResource, we will make every effort to confirm the signage provided is compliant at the time of installation.

GENERAL NOTES

- TOLERANCE (UNLESS NOTED)
• GRAPHICS +/- 1/8" • FACE SIZE + 1/16" - 1/4"
• CABINET +/- 1/8" • VINYL OVERLAP + 1/8" + 1/16"
• ALL COPY LEVEL UNLESS NOTED OTHERWISE
- VIEWING DISTANCE 25' TO 50' UNLESS NOTED OTHERWISE
- PMS COLOR CALLOUT INDICATES USE OF SPRAYLAT MIX SYSTEM
- NO DEVIATION OR MATERIAL SUBSTITUTION WITHOUT EQN.
- ALL ELECTRICAL SIGNS TO COMPLY WITH UL 48

DESCRIPTION
**5' x 3' APPROX.
FORMED
REPLACEMENT FACE**

| VOLTAGE: | CIRCUIT: | CURRENT: | DESIGN LOAD: |
|----------|----------|----------|--------------|
| | | | |

DRAWN BY: DOMCHE
CHECKED BY: RAY A.
CLIENT: ARCO
LOCATION: OXNARD 3805-25-1

| QUOTE: | DATE: |
|--------|------------|
| 264008 | 02/27/2017 |

| DRAWING/PART # | REV | SHEET # |
|----------------|-----|---------|
| ATY-0349 | B | 1 OF 2 |

This document reflects trade secrets and confidential business information, and may not be copied, published, or disseminated in any manner without the prior express written approval of SignResource. All rights reserved, including patent, trademark and copyright.



Sign Cabinet and Face Information

Site Address 700 S. Oxnard St City Oxnard State CA Page 2 of 4

FACE PROPERTIES : PRICER (SEE BOTTOM FOR NUMERAL PLATES DIMENSION)

FACE MATERIAL (CHECK ONE) PLASTIC FLEXIBLE METAL

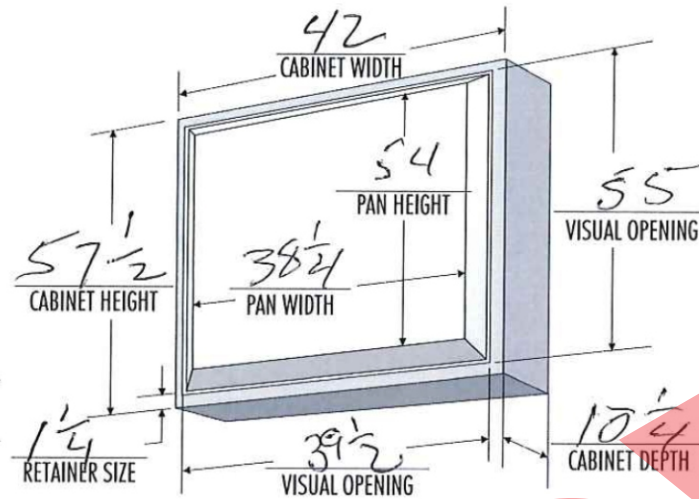
PAN FORMED (CHECK ONE) YES- DEPTH 2 1/4 NO

EMBOSSED GRAPHIC (CHECK ONE) YES NO

EMBOSSED COPY (CHECK ONE) YES NO

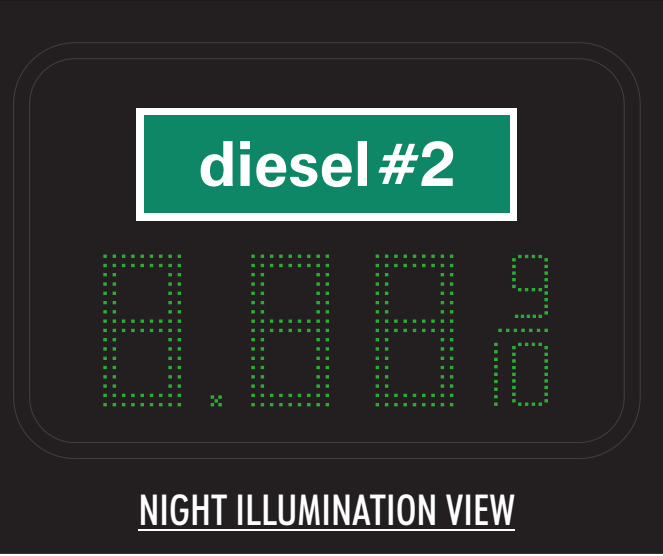
SIGN COPY Pricer SINGLE FACE SIGN DOUBLE FACE SIGN

OTHER COMMENTS Radius 1/4 corner



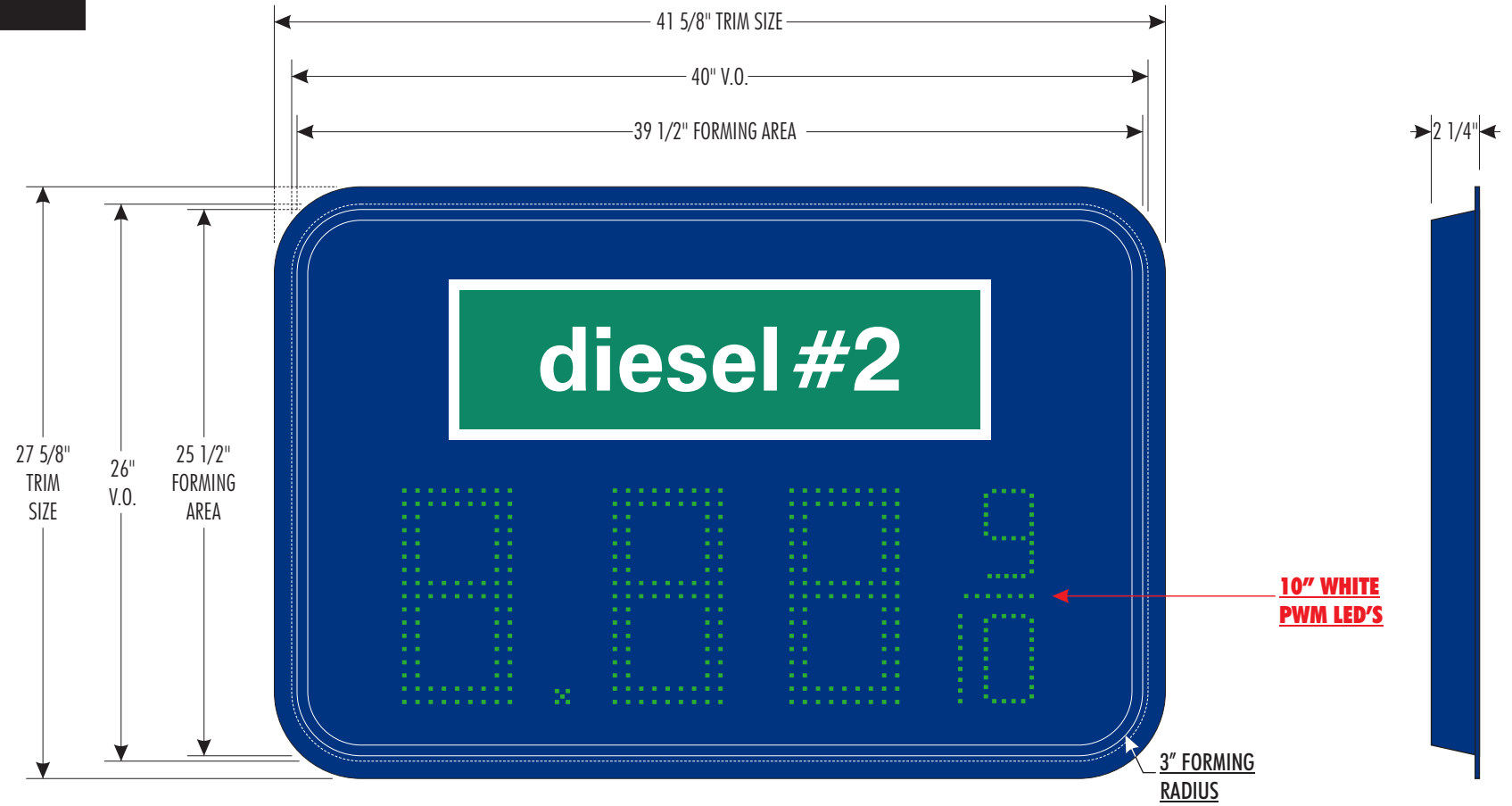
SUR





NIGHT ILLUMINATION VIEW

PRODUCT COPY
WHITE COPY ON GREEN TRANSLUCENT BACKGROUND



FRONT VIEW
CABINET SIZE: 28" X 42"
4-1/4" RADIUS

SIDE VIEW

REVISION HISTORY:

| REV | DATE | REQUESTED BY | UPDATED BY |
|-----------------------------------------------|----------|--------------|------------|
| — | 02/27/17 | T.GORDON | D.Q. |
| REVISION DESCRIPTION: INITIAL DRAWING RELEASE | | | |
| REV | DATE | REQUESTED BY | UPDATED BY |
| B | 03/15/17 | T.GORDON | RA |
| REVISION DESCRIPTION: ADDED WHITE LEDS | | | |

**DO NOT MANUFACTURE
K PART # NEEDED**

PARTS LIST:

| ITEM | DECORATION |
|------|------------|
| A | PMS 288C |
| B | WHITE |
| C | BLOCK OUT |
| D | |
| E | |
| F | |
| G | |

MATERIAL LIST

| | |
|---|--------------|
| 1 | PLASTIC FACE |
| 2 | |

SECOND SURFACE DECORATION

NOTE: WEIGHTS AND MEASURES

Weights and Measures requirements vary by State, County and Municipality. It is the responsibility of the customer to confirm that these graphics are compliant with all local Regulations, Statutes and Ordinances. Compliance must be confirmed by the party obtaining the permit. SignResource is not liable for misinterpretation of local Weights and Measures requirements or any rule changes that may occur after the order has been placed.

If permitting and installation is provided by SignResource, we will make every effort to confirm the signage provided is compliant at the time of installation.

GENERAL NOTES

1. TOLERANCE (UNLESS NOTED)
• GRAPHICS +/- 1/8" • FACE SIZE + 1/16" - 1/4"
• CABINET +/- 1/8" • VINYL OVERLAP + 1/8" + 1/16"
• ALL COPY LEVEL UNLESS NOTED OTHERWISE
2. VIEWING DISTANCE 25' TO 50' UNLESS NOTED OTHERWISE
3. PMS COLOR CALLOUT INDICATES USE OF SPRAYLAT MIX SYSTEM
4. NO DEVIATION OR MATERIAL SUBSTITUTION WITHOUT EQN.
5. ALL ELECTRICAL SIGNS TO COMPLY WITH UL 48

DESCRIPTION
**2' x 3' APPROX.
FORMED
REPLACEMENT FACE**

VOLTAGE: CIRCUIT: CURRENT: DESIGN LOAD:

DRAWN BY: DOMCHE CHECKED BY: RAY A.

CLIENT: ARCO

LOCATION: OXNARD 3805-25-1

QUOTE: 264008 DATE: 02/27/2017

DRAWING/PART # ATY-0350 REV B SHEET # 1 OF 2

APPROVAL SIGNATURE

By signing, you are validating the dimensions and graphic provided to SignResource and/or you are handling your own installation.



Sign Cabinet and Face Information

Site Address 700 S. Oxnard St City Oxnard State CA Page 3 of 4

FACE PROPERTIES : AUXILIARY

FACE MATERIAL (CHECK ONE) PLASTIC FLEXIBLE METAL

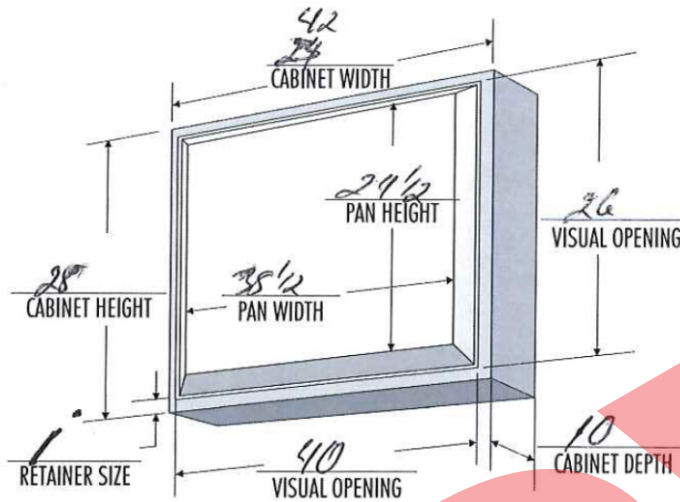
PAN FORMED (CHECK ONE) YES- DEPTH NO

EMBOSSED GRAPHIC (CHECK ONE) YES NO

EMBOSSED COPY (CHECK ONE) YES NO

SIGN COPY Pricer (Diesel) SINGLE FACE SIGN DOUBLE FACE SIGN

OTHER COMMENTS Rad 4 1/4



SUR



1758257 - 15" 3D DECAL FOR FLAT FASCIA CANOPY STRIPE

Materials:

1. XL 1002
2. Premask

Finishing:

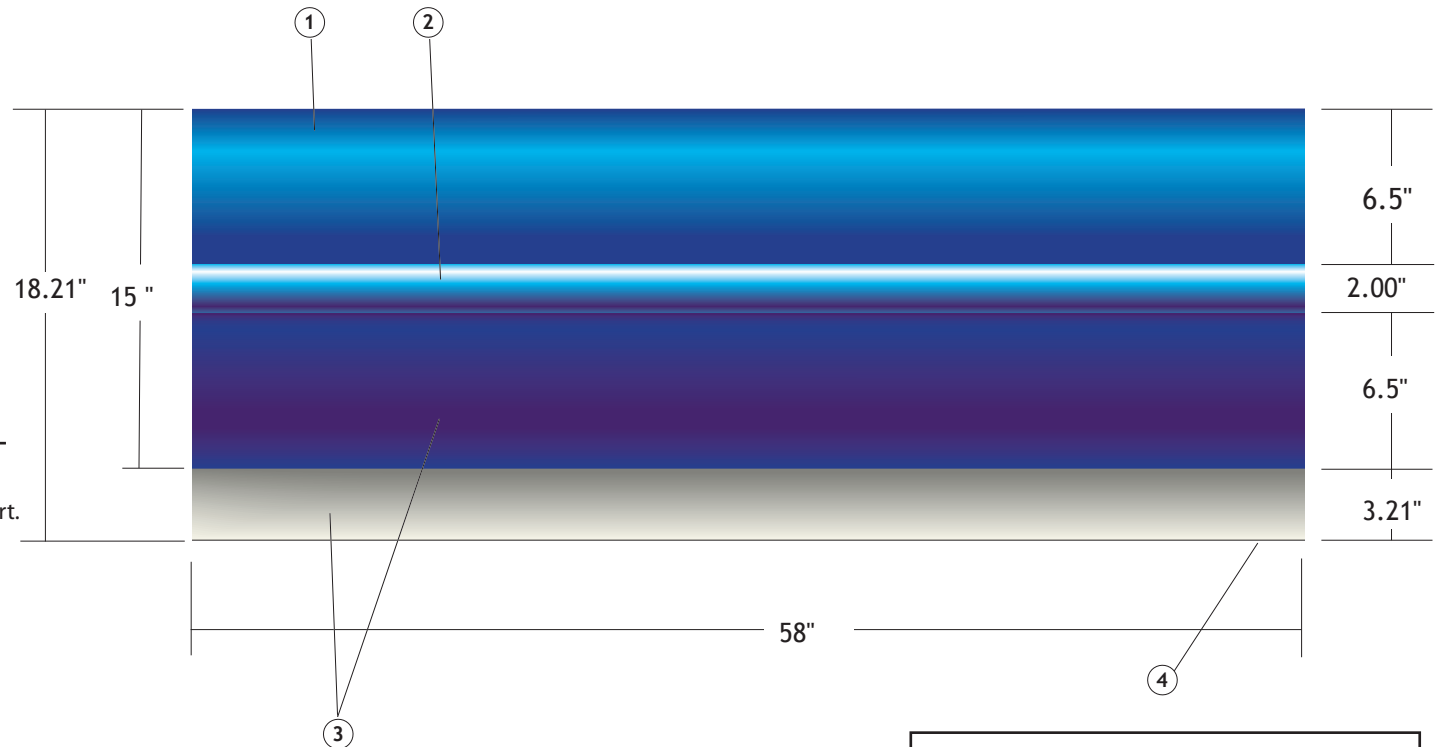
1. Premask
2. Die cut

Colors:

1. Dk Blue HT
2. Light Blue HT
3. Black
4. Pearl
5. Clear

Installation Instructions:

1. Clean decal area on the existing fascia with a cleaner to remove all grease and dirt.
2. Apply blue fascia decal to the existing fascia starting at one end and working down the length. **Light Blue laser strip should be level.**
3. Apply second piece with an 1/8" overlap. **Caution: Align light blue laser strip with the light blue laser strip on the preceding decal.**
4. Squeegee from the center outward with overlapping strokes.
5. Remove any trapped air with a pin or air removal tool.
6. Trim ends and edges of vinyl.
7. Remove premask.
8. See illustration for correct placement.



Note: 30" or less fascia height will utilize the 15" bullnose components.
Greater than 30" fascia height will utilize the 21" bullnose components.



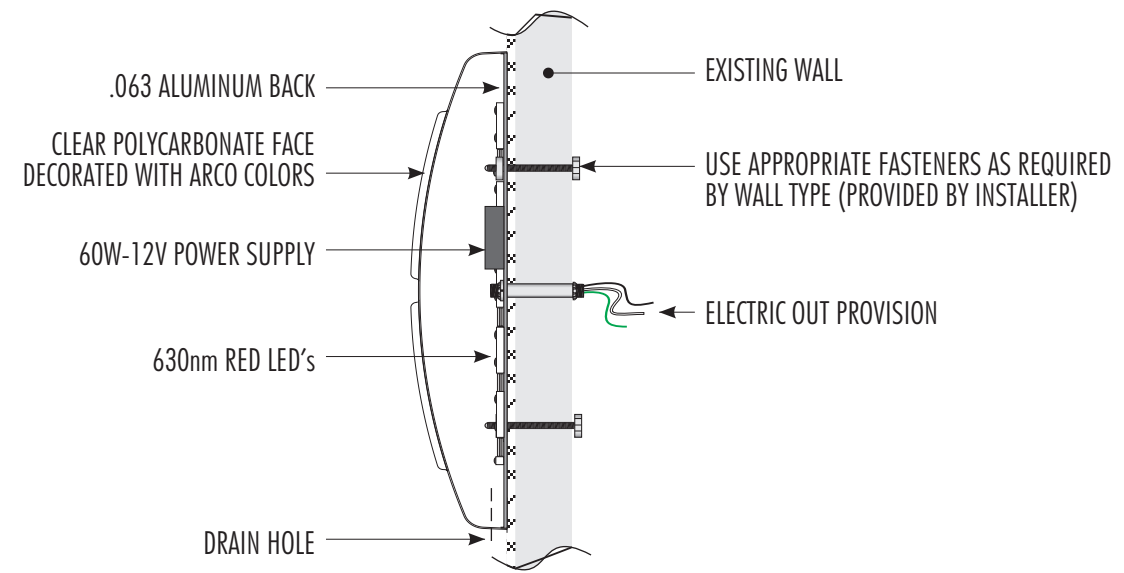
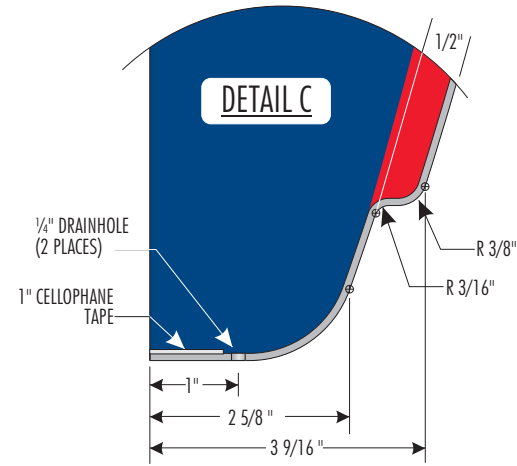
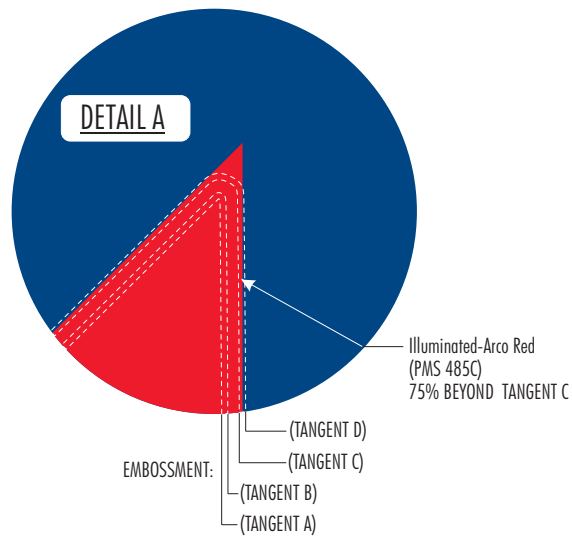
SPECTACULAR GRAPHIC PRODUCTS

| NO. | REVISIONS | DATE | APP. INT. | DRN BY | MECHANICAL PART TOLERANCES (UNLESS OTHERWISE SPECIFIED) | 1 PL. DEC. | 2 PL. DEC. | 3 PL. DEC. | ANGLES | TITLE |
|-----|-----------|---------|-----------|--------------|---------------------------------------------------------------------|------------|------------|------------|------------|----------------------------------|
| 1 | Original | 5/12/06 | | David A. | CHARACTERISTICS CRITICAL TO QUALITY ARE DESIGNATED BY THIS SYMBOL Q | +/- .063 | +/- .020 | +/- .010 | +/- 5 DEG. | 15" 3D FLAT FASCIA CANOPY STRIPE |
| | | | | DATE 5/12/06 | | | | | | CUSTOMER BP CORPORATION |
| | | | | CA APP. | | | | | | CUST. PART NUMBER 1758257 |
| | | | | DATE | | | | | | REVISION |
| | | | | CUST. APP. | Approved By _____ | FINISH | | | | DC PART NUMBER 1758257 |
| | | | | DATE | Date | SCALE | NTS | | | SHT 1 OF 1 |

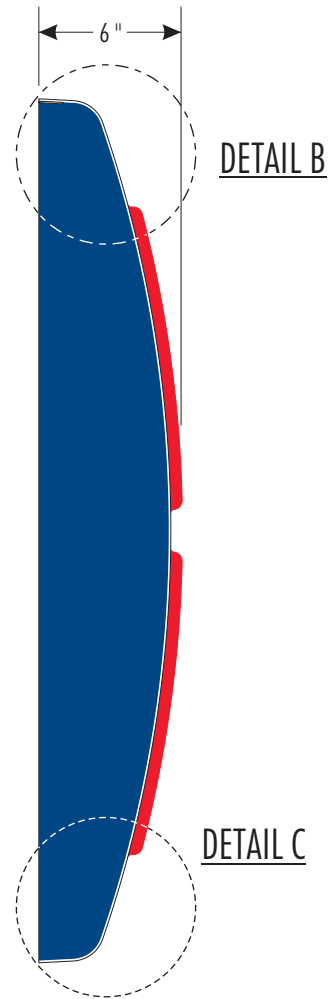




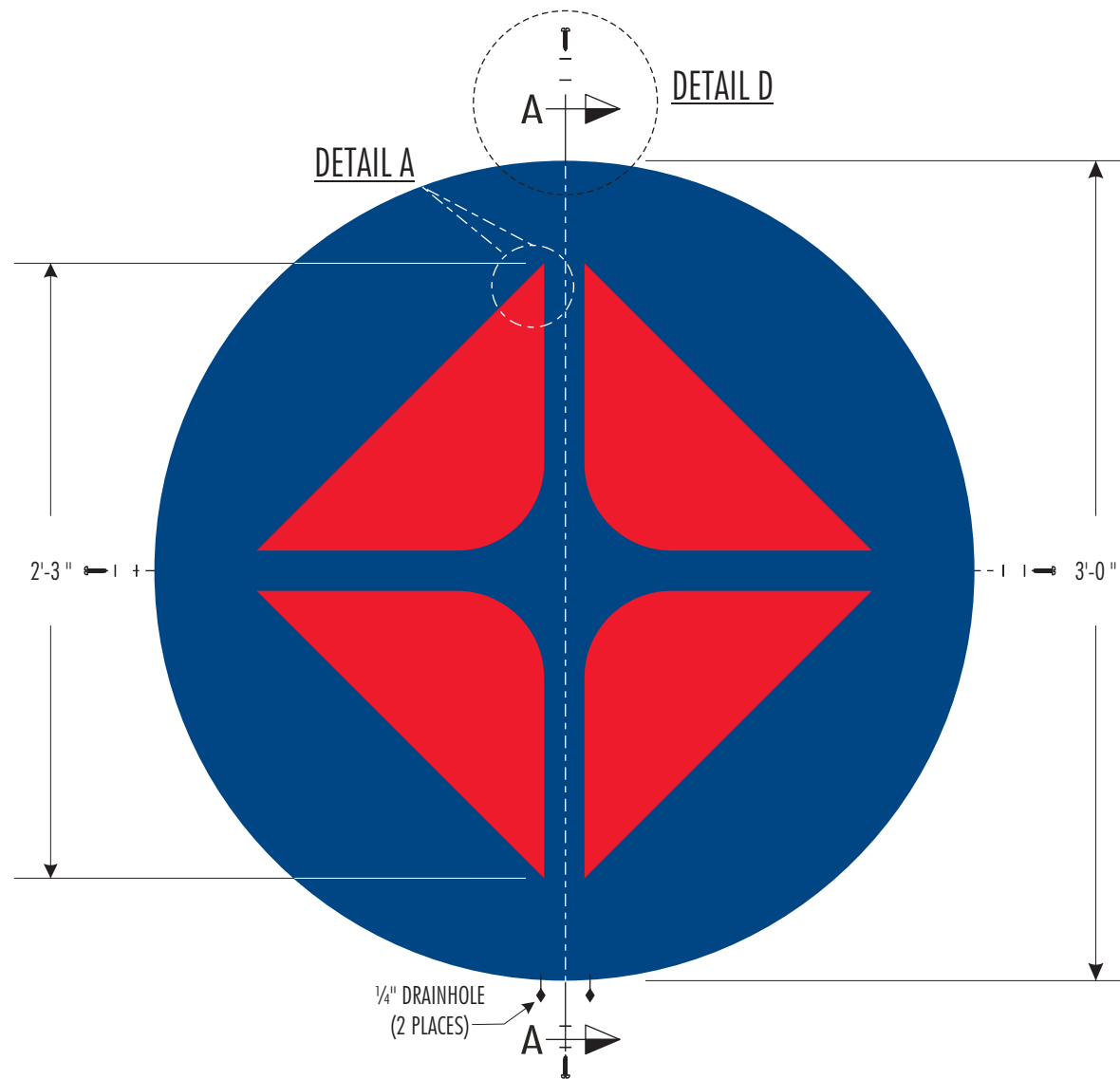
NIGHT ILLUMINATION VIEW



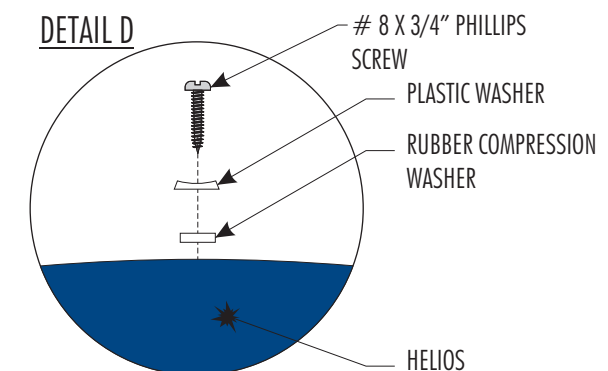
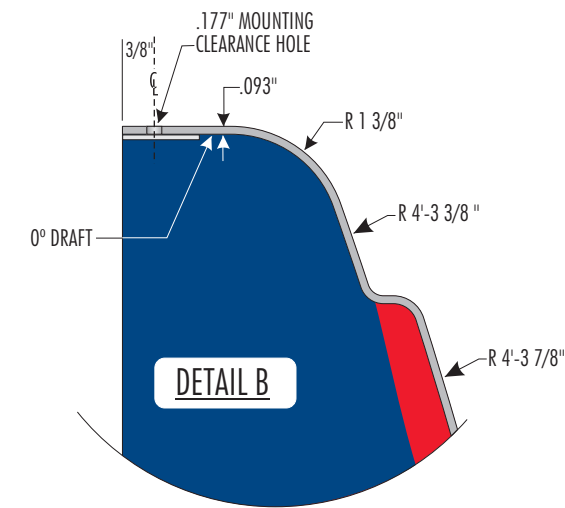
LETTER - SECTION DETAIL



SIDE VIEW



FRONT VIEW OF SPARK
GRAPHIC DETAIL
SCALE: 1 1/2" = 1'



DETAIL D

REVISION HISTORY:

| REV | DATE | REQUESTED BY | UPDATED BY |
|---------------------------------------------------|----------|--------------|------------|
| REV A | 07/14/10 | YC | DQ |
| REVISION DESCRIPTION: INITIAL DRAWING RELEASE | | | |
| REV B | 08/11/10 | YC | JV |
| REVISION DESCRIPTION: ADDED LETTER SECTION DETAIL | | | |

PARTS LIST:

| ITEM | DECORATION |
|------|-------------|
| A | PMS 288C |
| B | WHITE |
| C | BLOCKOUT |
| D | RED PMS 485 |
| E | |
| F | |

MATERIAL LIST

| ITEM | DESCRIPTION |
|------|--------------|
| 1 | PLASTIC FACE |
| 2 | |
| 3 | |

FACE:
MODIFIED ACRYLIC .093" PLASTIC FACE PAINTED SECOND SURFACE.
OPAQUE ARCO BLUE BACKGROUND WITH TRANSLUCENT ARCO RED EMBOSSED SPARK.

THIS SIGN IS INTENDED TO BE INSTALLED IN ACCORDANCE WITH THE REQUIREMENTS OF ARTICLE 600 OF THE NATIONAL ELECTRIC CODE AND/OR OTHER APPLICABLE LOCAL CODES. THIS INCLUDES PROPER GROUNDING AND BONDING OF THE SIGN

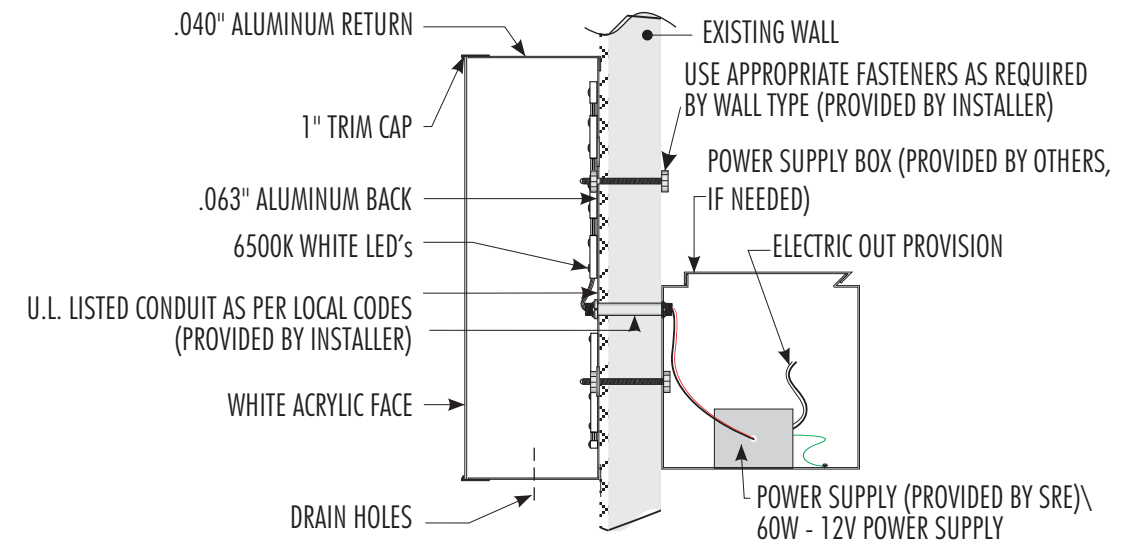
GENERAL NOTES

- TOLERANCE (UNLESS NOTED)
- GRAPHICS +/- 1/8" • FACE SIZE + 1/16" - 1/4"
- CABINET +/- 1/8" • VINYL OVERLAP + 1/8" + 1/16"
- ALL COPY LEVEL UNLESS NOTED OTHERWISE
- VIEWING DISTANCE 25' TO 50' UNLESS NOTED OTHERWISE
- PMS COLOR CALLOUT INDICATES USE OF SPRAYLAT MIX SYSTEM
- NO DEVIATION OR MATERIAL SUBSTITUTION WITHOUT EQI.
- ALL ELECTRICAL SIGNS TO COMPLY WITH UL 48

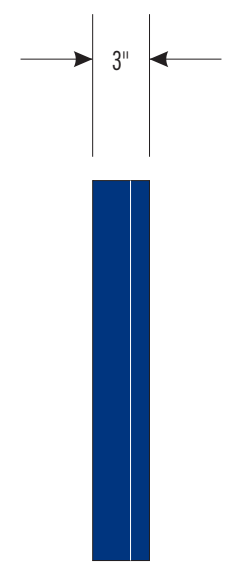
| DESCRIPTION | | | |
|------------------------------|---------------------|------------------------|--------------|
| 36" CANOPY ARCO LOGO | | | |
| VOLTAGE: | CIRCUIT: | CURRENT: | DESIGN LOAD: |
| DRAWN BY: DOMCHE | | CHECKED BY: JUAN V. | |
| CLIENT: ARCO | | | |
| LOCATION: ARCO -VARIOUS | | | |
| QUOTE: 173708 | DATE: 07/14/2010 | | |
| DRAWING/PART # AM36SI-LED | REV B | SHEET # 1 OF 1 | |

ARCO

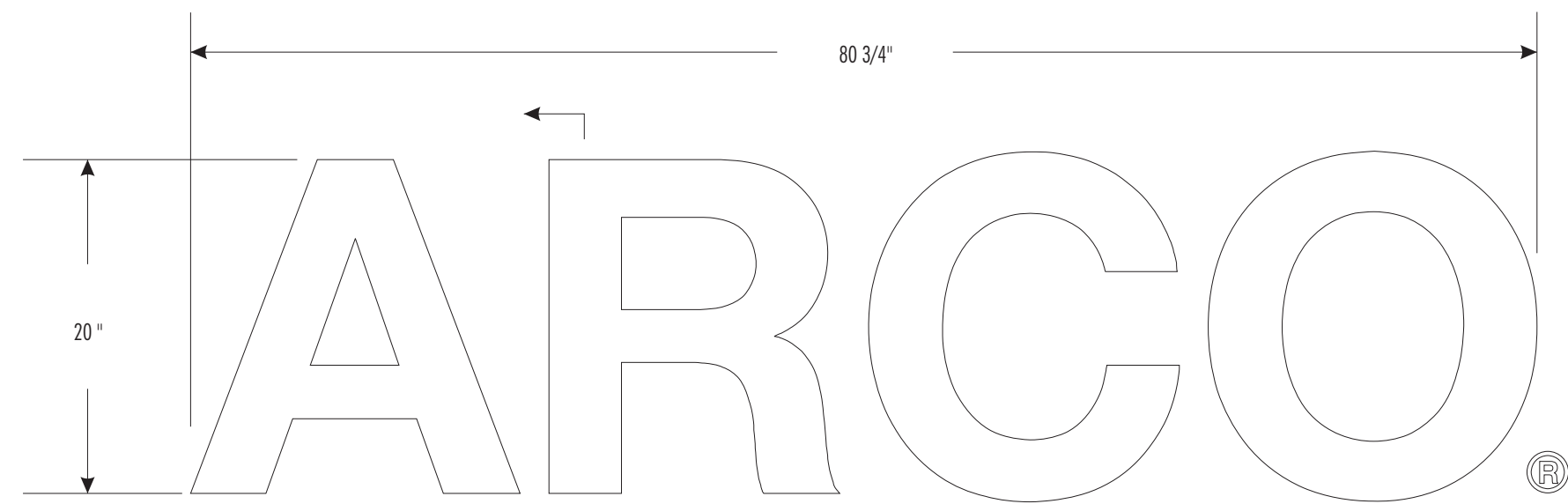
ILLUMINATION VIEW



LETTER - SECTION DETAIL



SIDE VIEW



FRONT VIEW

WIDE VERSION

REVISION HISTORY:

| REV | DATE | REQUESTED BY | UPDATED BY |
|------------------------------------------------------------------|----------|--------------|------------|
| REV A | 08/10/10 | YC | DQ |
| REVISION DESCRIPTION: INITIAL DRAWING RELEASE | | | |
| REV B | 04/28/14 | ML | DJ |
| REVISION DESCRIPTION: CHANGE TO GE MINI TETRA MAX | | | |
| REV C | 05/05/14 | JM | JM |
| REVISION DESCRIPTION: CHANGED LED & PS QTY. TO SHOW CORRECT QTY. | | | |
| REV D | 05/14/14 | J.M. | D.D. |
| REVISION DESCRIPTION: ADDED LED LAYOUT | | | |

PARTS LIST:

| ITEM | DECORATION |
|---------------|------------|
| A | PMS 288C |
| B | WHITE |
| C | |
| D | |
| E | |
| F | |
| MATERIAL LIST | |
| 1 | |
| 2 | |
| 3 | |

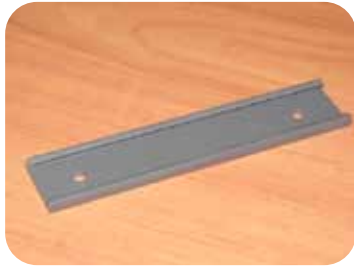
THIS SIGN IS INTENDED TO BE INSTALLED IN ACCORDANCE WITH THE REQUIREMENTS OF ARTICLE 600 OF THE NATIONAL ELECTRIC CODE AND/OR OTHER APPLICABLE LOCAL CODES. THIS INCLUDES PROPER GROUNDING AND BONDING OF THE SIGN

GENERAL NOTES

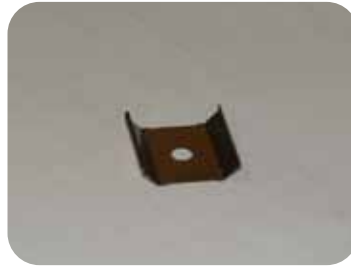
1. TOLERANCE (UNLESS NOTED)
 - GRAPHICS +/- 1/8" • FACE SIZE + 1/16" - 1/4"
 - CABINET +/- 1/8" • VINYL OVERLAP + 1/8" + 1/16"
 - ALL COPY LEVEL UNLESS NOTED OTHERWISE
2. VIEWING DISTANCE 25' TO 50' UNLESS NOTED OTHERWISE
3. PMS COLOR CALLOUT INDICATES USE OF SPRAYLAT MIX SYSTEM
4. NO DEVIATION OR MATERIAL SUBSTITUTION WITHOUT EQN.
5. ALL ELECTRICAL SIGNS TO COMPLY WITH UL 48

| | | | |
|------------------------------|---------------------|------------------------|--------------|
| DESCRIPTION | | | |
| IL CHANNEL LETTER | | | |
| VOLTAGE: | CIRCUIT: | CURRENT: | DESIGN LOAD: |
| DRAWN BY: DOMCHE | | CHECKED BY: JUAN V. | |
| CLIENT: ARCO | | | |
| LOCATION: ARCO - VARIOUS | | | |
| QUOTE: 173708 | DATE: 08/10/2010 | | |
| DRAWING/PART # AM20CL-LED | REV D | SHEET # 1 OF 1 | |

This document reflects trade secrets and confidential business information, and may not be copied, published, or disseminated in any manner without the prior express written approval of SignResource. All rights reserved, including patent, trademark and copyright.



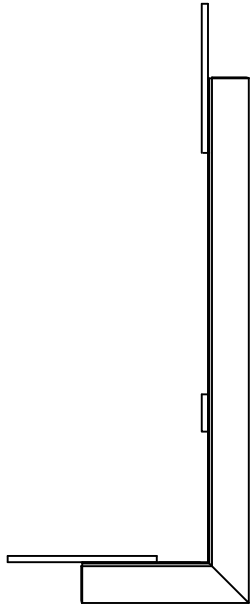
39-01-19 mounting bracket



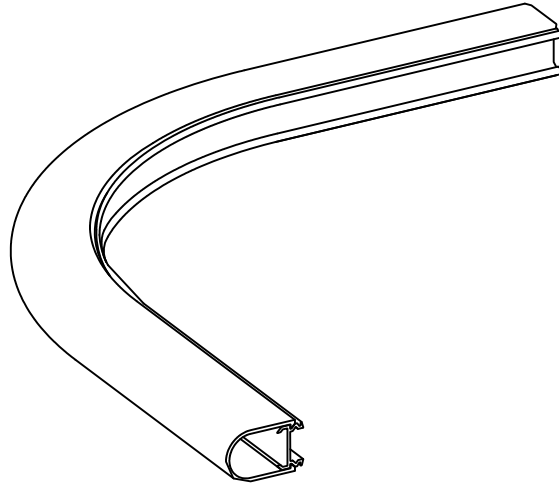
17-22-83 light bar clip

PART DESCRIPTION

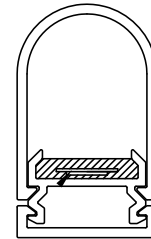
- polycarbonate lightbar lens
- pvc mounting bracket
- translucent vinyl end cap vinyl
- clear polycarbonate light bar end cap
- led light strip 25mA
- quantum silicone cartridges and mixing tips
- contact, socket, slimseal 18-20 awg
- conn housing, contact, pin
- bulk 1/2" x 108" 3M vhb tape
- h bar
- lightbar mounting rivet



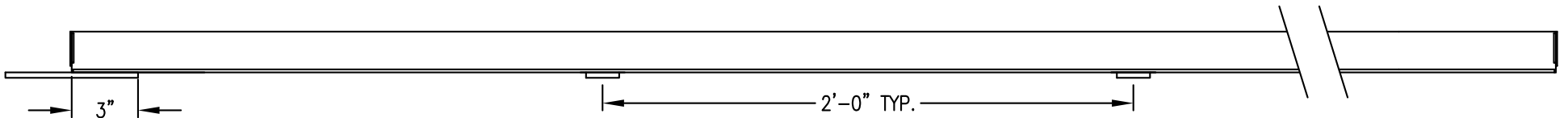
90 degree CORNER
 39-00-06 90 degree blue corner
 39-01-06 90 degree green corner



RADIUS CORNER
 39-01-07 r 9.5" 21" bullnose green radius 25mA
 39-01-08 r 6.5" 15" bullnose green radius 25mA
 39-00-08 r 6.5" 15" bullnose BLUE radius 25mA



ENDCAP DETAIL
 30-00-10 (arco blue)
 39-01-10 (green)
 39-04-10 (red)



- 39-00-00 10' LightBar 25mA - BL LED - 15/FT- PC/AL blue
- 30-00-03 4' LightBar 25mA - BL LED - 15/FT- PC/AL blue
- 30-00-11 10' Polycarbonate lense only blue

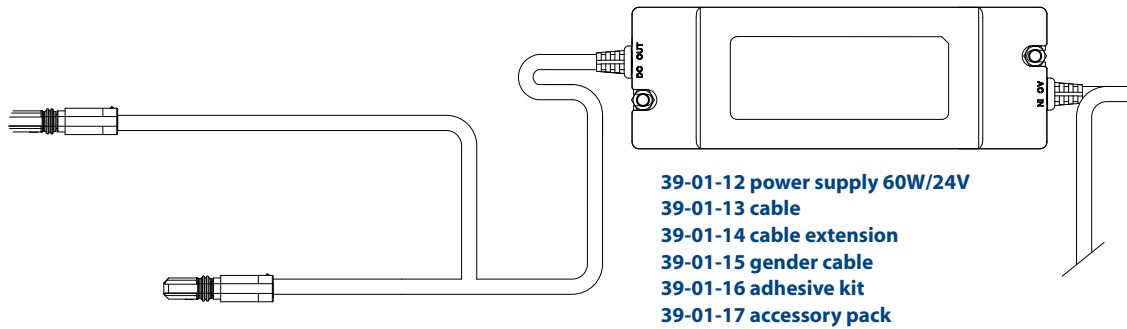
- 39-01-00 10' LightBar 25mA - BL LED - 15/FT- PC/AL green
- 30-01-03 4' LightBar 25mA - BL LED - 15/FT- PC/AL green
- 30-01-11 10' Polycarbonate lense only green

- 39-04-00 10' LightBar 25mA - BL LED - 15/FT- PC/AL red
- 30-04-03 4' LightBar 25mA - BL LED - 15/FT- PC/AL red
- 30-04-11 10' Polycarbonate lense only red

LIGHTBAR AVAILABLE IN BLUE, RED, AND GREEN

5107 Kissell Avenue • Altoona PA 16601 • p: 814.949.8287 • f: 814.949.8293





39-01-12 power supply 60W/24V



QTY (1) 39-01-16 adhesive kit



QTY (2) 39-01-14 cable extension



QTY (8)
 30-00-10 (arco blue) end caps or
 39-01-10 (green- shown) end caps or
 39-04-10 (red) end caps
 QTY (2) endcap vinyls



QTY (2) 39-01-13 cable



QTY (2) 39-01-15 gender cable

REVISION HISTORY:

| REV | DATE | REQUESTED BY | UPDATED BY |
|-----|------|--------------|------------|
| | | | |

REVISION DESCRIPTION

| |
|--|
| |
| |
| |
| |
| |

PARTS LIST:

| ITEM | DECORATION |
|------|-------------------|
| A | ARCO BLUE PMS 288 |
| B | ARCO LT. BLUE |
| C | ARCO RED PMS 485 |
| D | ARCO PEARL |

| MATERIAL LIST | |
|---------------|--|
| 1 | |
| 2 | |
| 3 | |
| 4 | |
| 5 | |

SECOND SURFACE DECORATION

| |
|--|
| |
| |
| |
| |
| |

GENERAL NOTES

- TOLERANCE (UNLESS NOTED)
 - GRAPHICS +/- 1/8" • FACE SIZE + 1/16" - 1/4"
 - CABINET +/- 1/8" • VINYL OVERLAP + 1/8" +/- 1/16"
 - ALL COPY LEVEL UNLESS NOTED OTHERWISE
- VIEWING DISTANCE 25' TO 50' UNLESS NOTED OTHERWISE
- PMS COLOR CALLOUT INDICATES USE OF SPRAYLAT MIX SYSTEM
- NO DEVIATION OR MATERIAL SUBSTITUTION WITHOUT ECN.
- ALL ELECTRICAL SIGNS TO COMPLY WITH UL 48

DESCRIPTION
ARCO VALANCE
 28 1/2"(H) x 62"(W) x 20 1/2"(D)
 FORMED FACE REPRESENTATION
 WITH GRAPHICS APPLIED
 SIDE A

DRAWN BY: **J.MORALES** CHECKED BY:

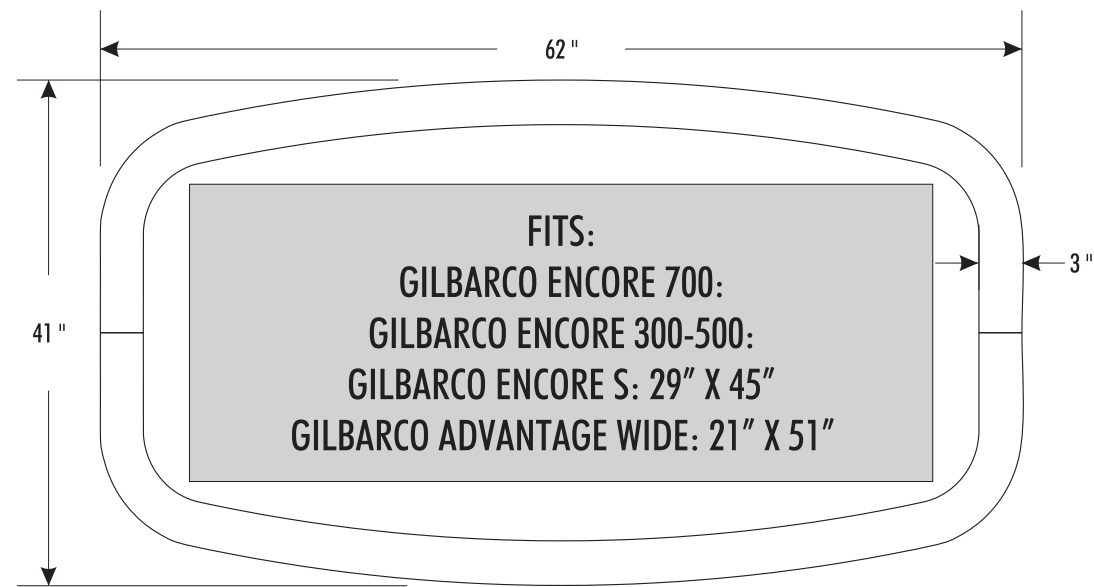
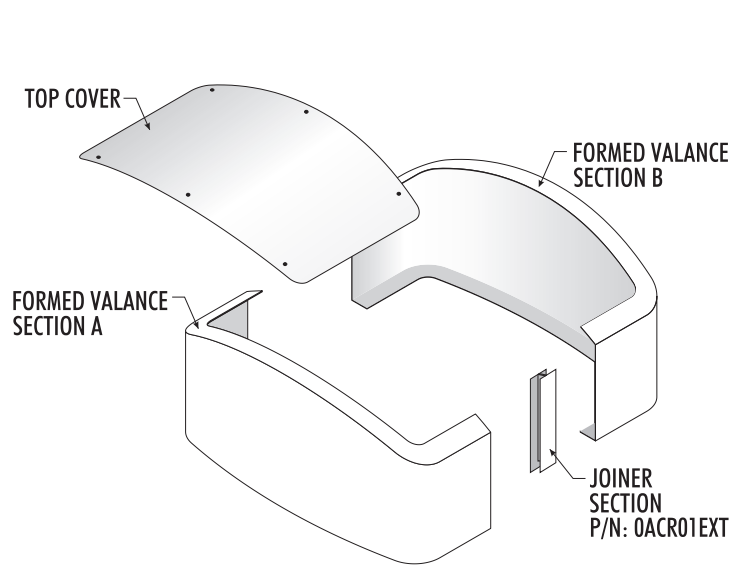
CLIENT: **ARCO**

LOCATION: **VARIOUS**

QUOTE: **VARIOUS** DATE: **05/31/14**

DRAWING/PART # **AM62VAL41G** REV. **A** SHEET # **1 OF 7**

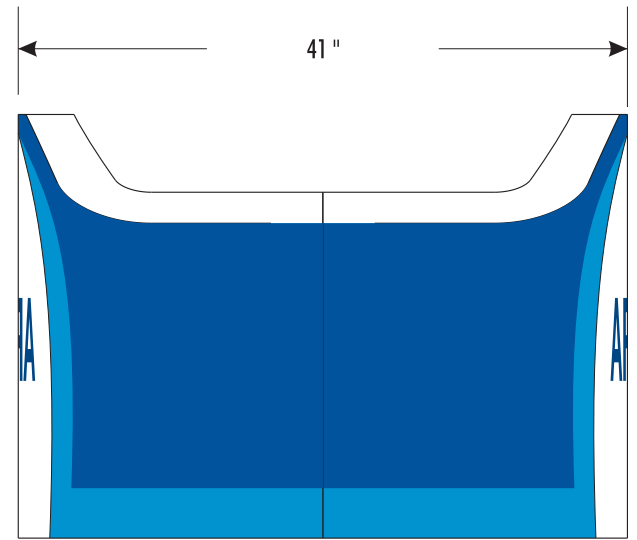
This document reflects trade secrets and confidential business information, and may not be copied, published, or disseminated in any manner without the prior express written approval of SignResource. All rights reserved, including patent, trademark and copyrights.



TOP VIEW



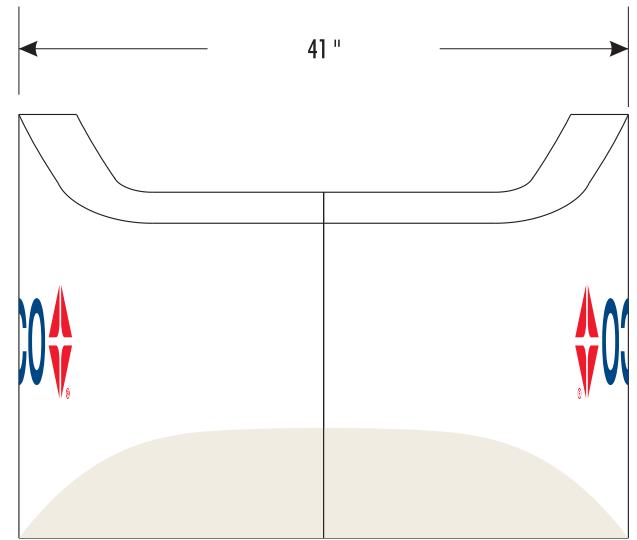
LOCATION DETAIL A



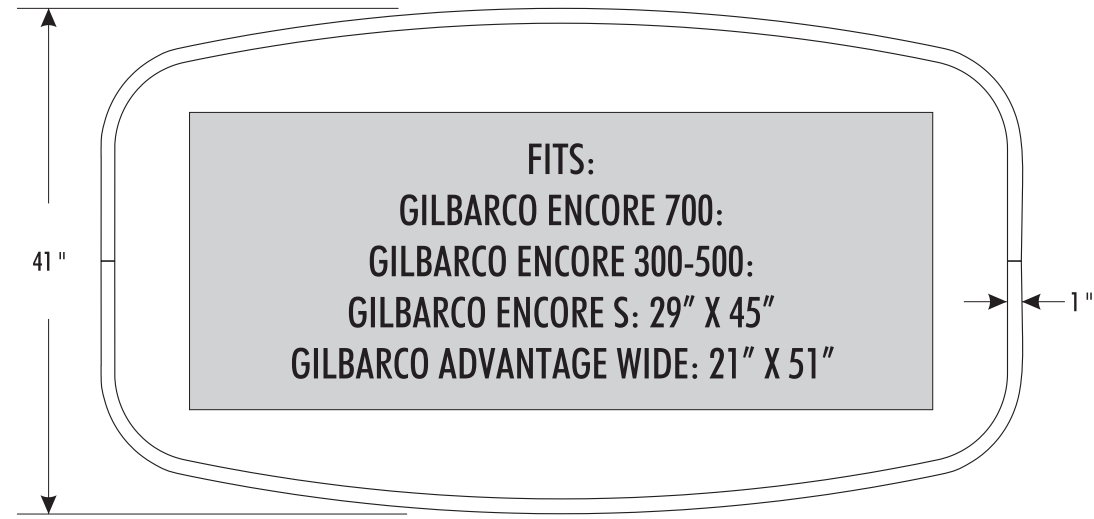
LEFT SIDE VIEW



**FRONT ELEVATION
 SIDE A
 (BLUE ON THE LEFT SIDE)**



RIGHT SIDE VIEW



BOTTOM VIEW



**OPPOSITE VIEW
 SIDE B
 (BLUE ON THE RIGHT SIDE)**

REVISION HISTORY:

| REV | DATE | REQUESTED BY | UPDATED BY |
|----------------------|------|--------------|------------|
| REVISION DESCRIPTION | | | |

PARTS LIST:

| ITEM | DECORATION |
|---------------|---------------|
| A | ARCO BLUE |
| B | ARCO LT. BLUE |
| C | ARCO RED |
| D | ARCO PEARL |
| MATERIAL LIST | |
| 1 | |
| 2 | |
| 3 | |
| 4 | |
| 5 | |

SECOND SURFACE DECORATION

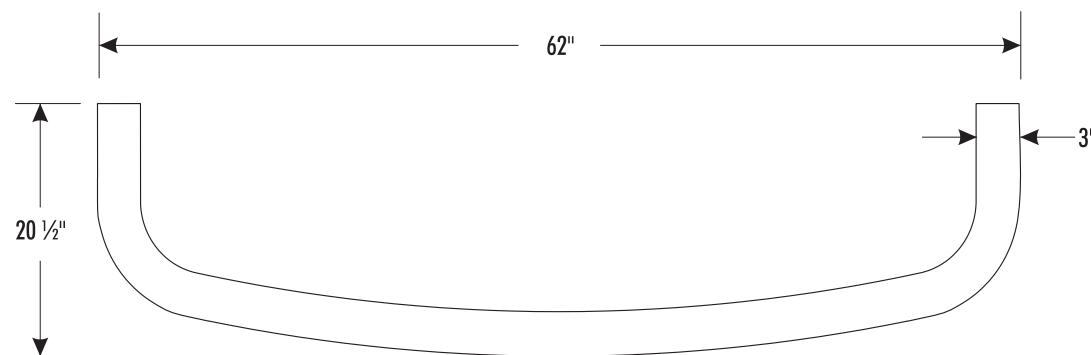
GENERAL NOTES

1. TOLERANCE (UNLESS NOTED)
 • GRAPHICS +/- 1/8" • FACE SIZE + 1/16" - 1/4"
 • CABINET +/- 1/8" • VINYL OVERLAP + 1/8" +/- 1/16"
 • ALL COPY LEVEL UNLESS NOTED OTHERWISE
2. VIEWING DISTANCE 25' TO 50' UNLESS NOTED OTHERWISE
3. PMS COLOR CALLOUT INDICATES USE OF SPRAYLAT MIX SYSTEM
4. NO DEVIATION OR MATERIAL SUBSTITUTION WITHOUT ECN.
5. ALL ELECTRICAL SIGNS TO COMPLY WITH UL 48

DESCRIPTION
ARCO VALANCE
 28 1/2"(H) x 62"(W) x 20 1/2"(D)
 FORMED FACE REPRESENTATION
 WITH GRAPHICS APPLIED
 SIDE A

DRAWN BY: **J.MORALES** CHECKED BY:
 CLIENT: **ARCO**
 LOCATION: **VARIOUS**
 QUOTE: **VARIOUS** DATE: **05/31/14**
 DRAWING/PART # **AM62VAL41G** REV. **A** SHEET # **2 OF 7**

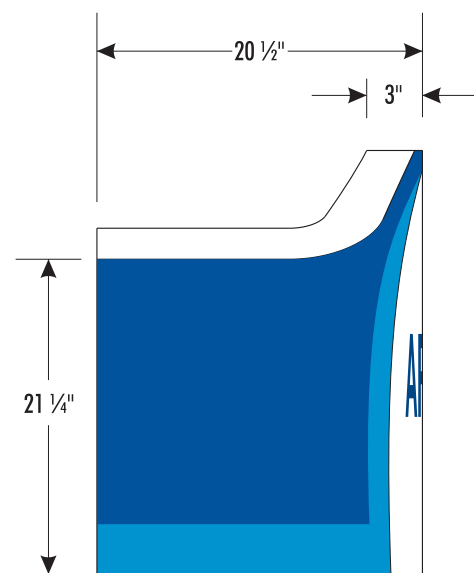
This document reflects trade secrets and confidential business information, and may not be copied, published, or disseminated in any manner without the prior express written approval of SignResource. All rights reserved, including patent, trademark and copyrights.



TOP VIEW



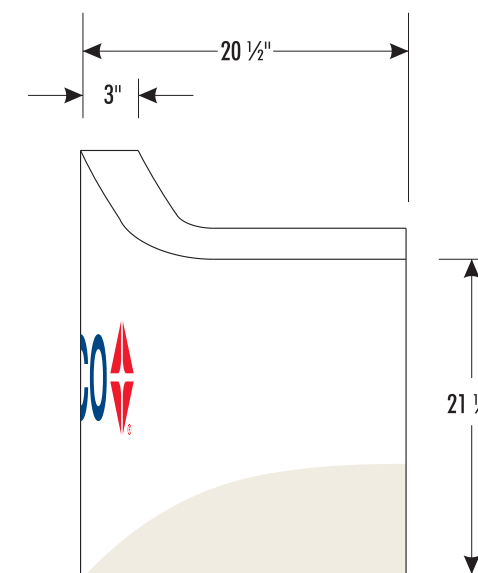
LOCATION DETAIL A



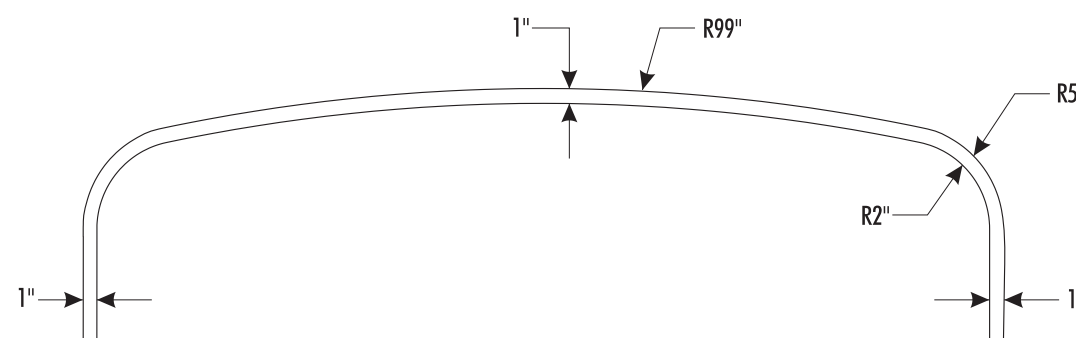
LEFT SIDE VIEW



FRONT ELEVATION SIDE A



RIGHT SIDE VIEW



BOTTOM VIEW

REVISION HISTORY:

| REV | DATE | REQUESTED BY | UPDATED BY |
|----------------------|------|--------------|------------|
| REVISION DESCRIPTION | | | |

PARTS LIST:

| ITEM | DECORATION |
|------|---------------|
| A | ARCO BLUE |
| B | ARCO LT. BLUE |
| C | ARCO RED |
| D | ARCO PEARL |

| MATERIAL LIST | |
|---------------|--|
| 1 | |
| 2 | |
| 3 | |
| 4 | |
| 5 | |

SECOND SURFACE DECORATION

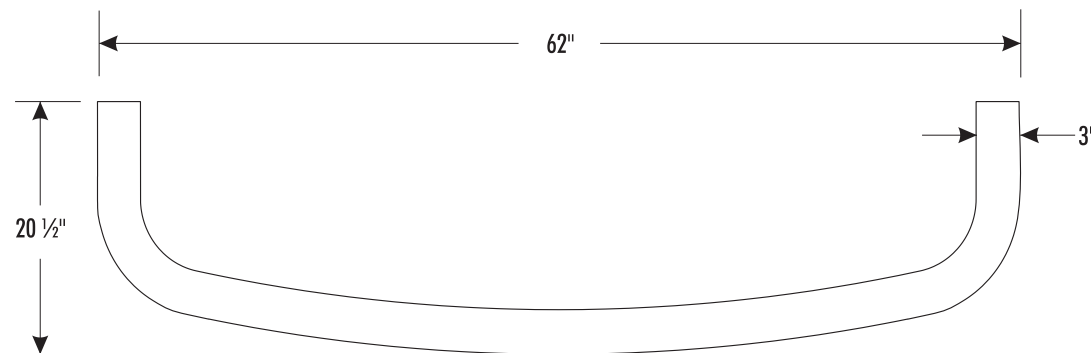
GENERAL NOTES

1. TOLERANCE (UNLESS NOTED)
 • GRAPHICS +/- 1/8" • FACE SIZE + 1/16" - 1/4"
 • CABINET +/- 1/8" • VINYL OVERLAP + 1/8" +/- 1/16"
 • ALL COPY LEVEL UNLESS NOTED OTHERWISE
2. VIEWING DISTANCE 25' TO 50' UNLESS NOTED OTHERWISE
3. PMS COLOR CALLOUT INDICATES USE OF SPRAYLAT MIX SYSTEM
4. NO DEVIATION OR MATERIAL SUBSTITUTION WITHOUT ECN.
5. ALL ELECTRICAL SIGNS TO COMPLY WITH UL 48

DESCRIPTION
ARCO VALANCE
 28 1/2"(H) x 62"(W) x 20 1/2"(D)
 FORMED FACE REPRESENTATION
 WITH GRAPHICS APPLIED
 SIDE B

DRAWN BY: **J.MORALES** CHECKED BY:
 CLIENT: **ARCO**
 LOCATION: **VARIOUS**
 QUOTE: **VARIOUS** DATE: **05/31/14**
 DRAWING/PART # **AM62VAL41G** REV. **A** SHEET # **3 OF 7**

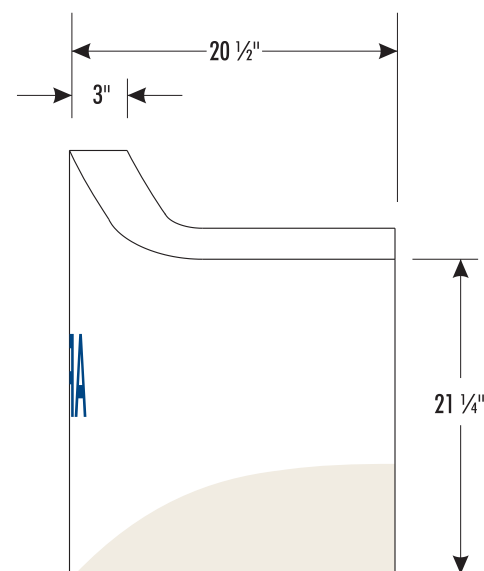
This document reflects trade secrets and confidential business information, and may not be copied, published, or disseminated in any manner without the prior express written approval of SignResource. All rights reserved, including patent, trademark and copyrights.



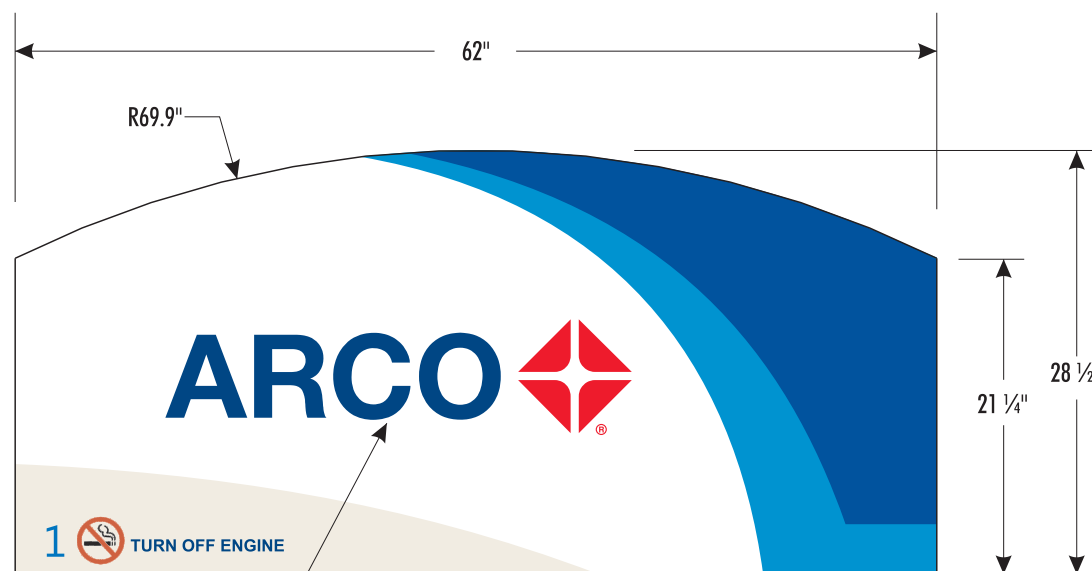
TOP VIEW



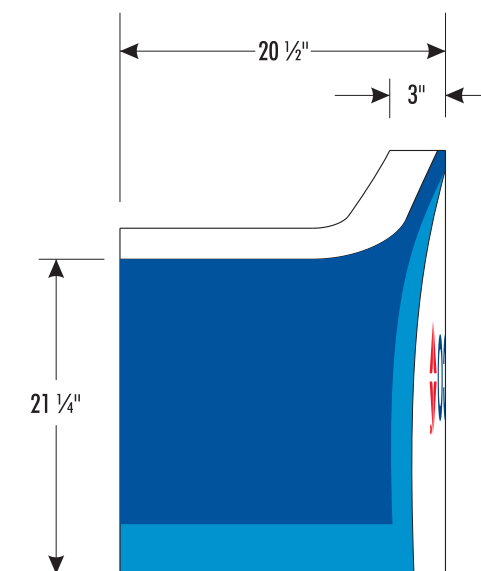
LOCATION DETAIL A



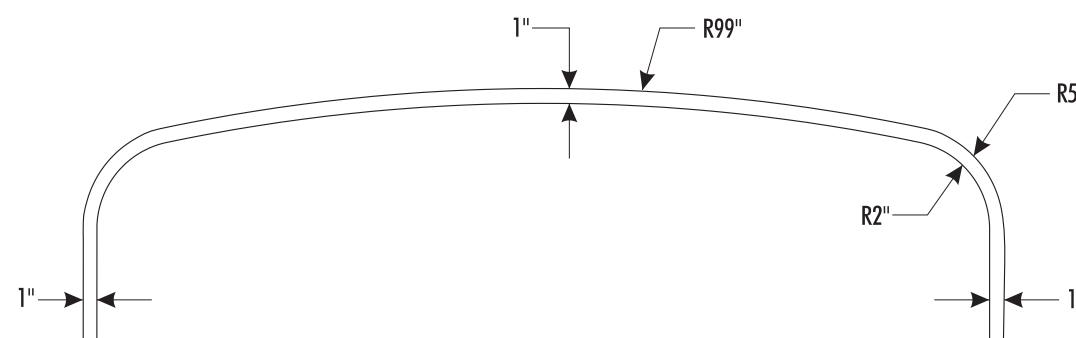
LEFT SIDE VIEW



**FRONT ELEVATION
SIDE B**



RIGHT SIDE VIEW



BOTTOM VIEW

REVISION HISTORY:

| REV | DATE | REQUESTED BY | UPDATED BY |
|-----|------|--------------|------------|
| | | | |

REVISION DESCRIPTION

| ITEM | DECORATION |
|------|------------|
| A | |
| B | |
| C | |
| D | |

PARTS LIST:

| ITEM | DECORATION |
|------|------------|
| 1 | |
| 2 | |
| 3 | |
| 4 | |
| 5 | |

| ITEM | MATERIAL LIST |
|------|---------------|
| 1 | |
| 2 | |
| 3 | |
| 4 | |
| 5 | |

GENERAL NOTES

1. TOLERANCE (UNLESS NOTED)
 • GRAPHICS +/- 1/8" • FACE SIZE + 1/16" - 1/4"
 • CABINET +/- 1/8" • VINYL OVERLAP + 1/8" +/- 1/16"
 • ALL COPY LEVEL UNLESS NOTED OTHERWISE
2. VIEWING DISTANCE 25' TO 50' UNLESS NOTED OTHERWISE
3. PMS COLOR CALLOUT INDICATES USE OF SPRAYLAT MIX SYSTEM
4. NO DEVIATION OR MATERIAL SUBSTITUTION WITHOUT ECN.
5. ALL ELECTRICAL SIGNS TO COMPLY WITH UL 48

DESCRIPTION
ARCO VALANCE
 28 1/2"(H) x 62"(W) x 20 1/2"(D)
 FORMED FACE REPRESENTATION
 WITH GRAPHICS APPLIED
 SIDE B

DRAWN BY: **J. MORALES** CHECKED BY:

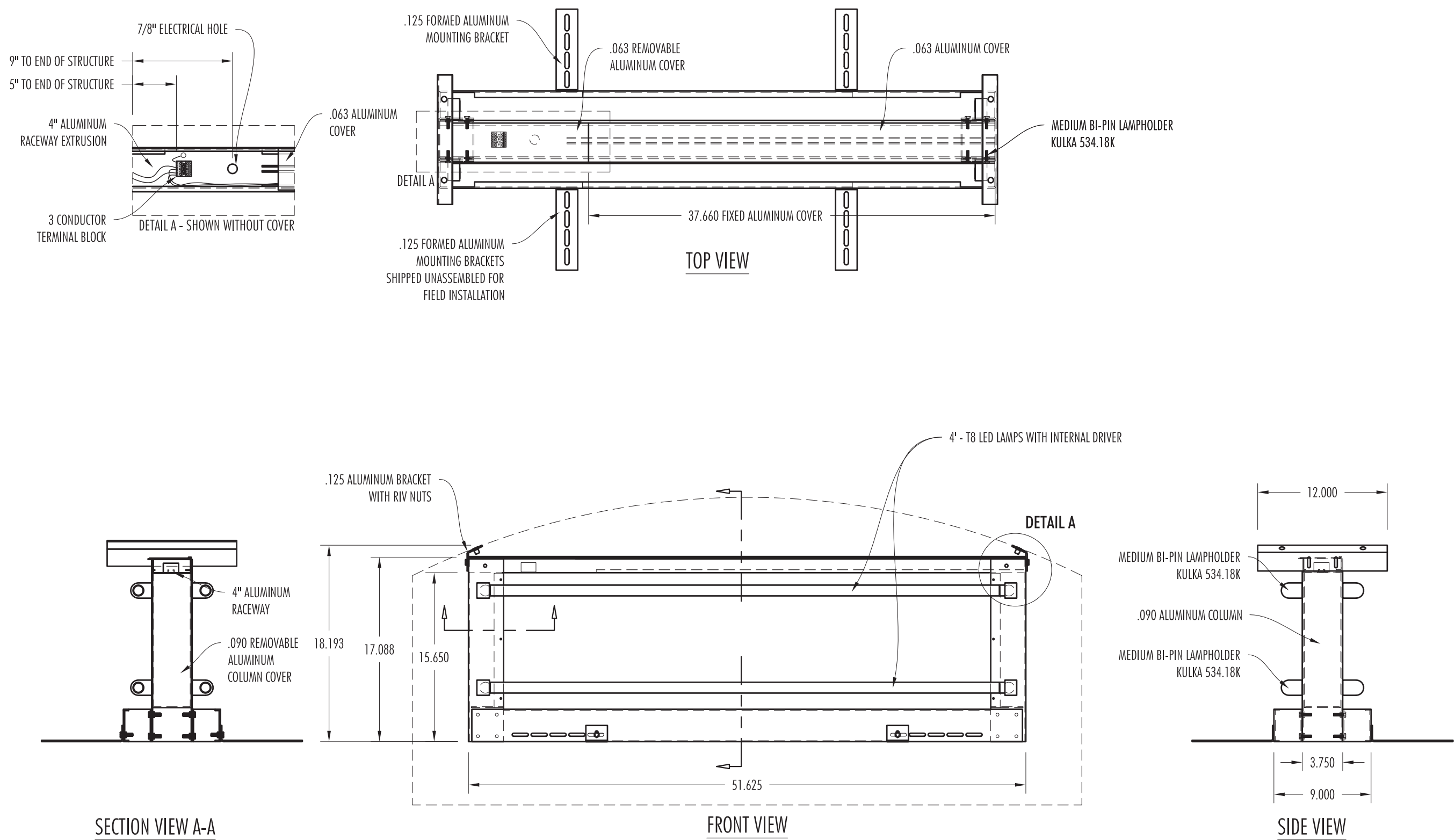
CLIENT: **ARCO**

LOCATION: **VARIOUS**

QUOTE: **VARIOUS** DATE: **05/31/14**

DRAWING/PART # **AM62VAL41G** REV. **A** SHEET # **5 OF 7**

This document reflects trade secrets and confidential business information, and may not be copied, published, or disseminated in any manner without the prior express written approval of SignResource. All rights reserved, including patent, trademark and copyrights.



INTERNAL ELECTRICAL STRUCTURE

REVISION HISTORY:

| REV | DATE | REQUESTED BY | UPDATED BY |
|----------------------|------|--------------|------------|
| REVISION DESCRIPTION | | | |

PARTS LIST:

| ITEM | DECORATION |
|---------------|------------|
| A | |
| B | |
| C | |
| D | |
| MATERIAL LIST | |
| 1 | |
| 2 | |
| 3 | |
| 4 | |
| 5 | |

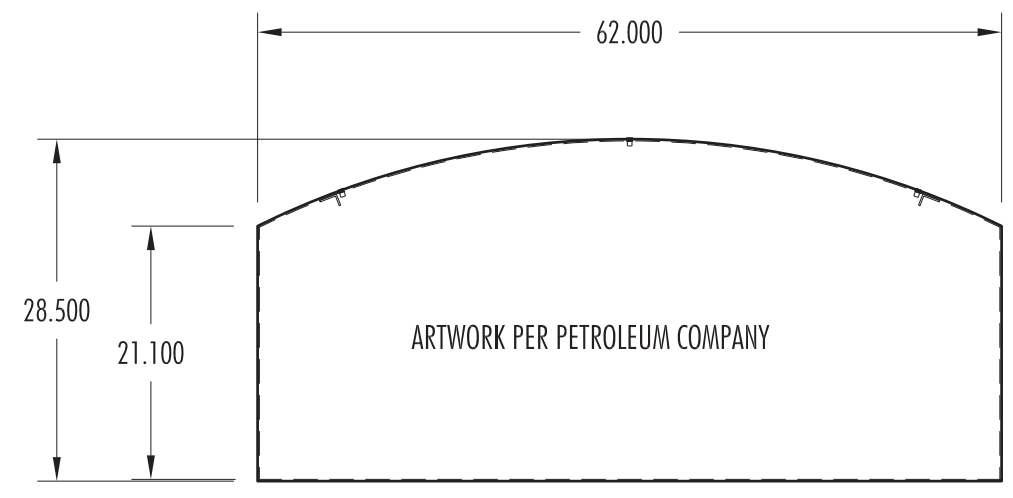
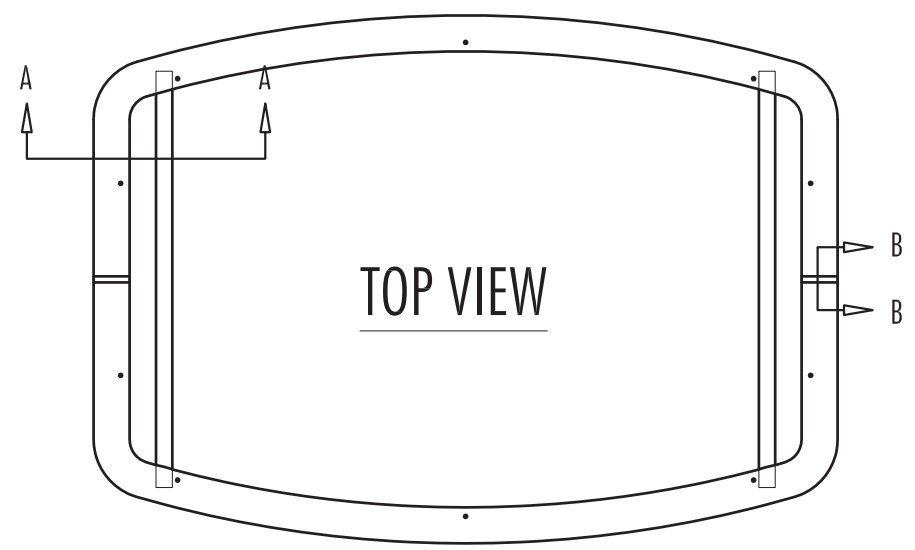
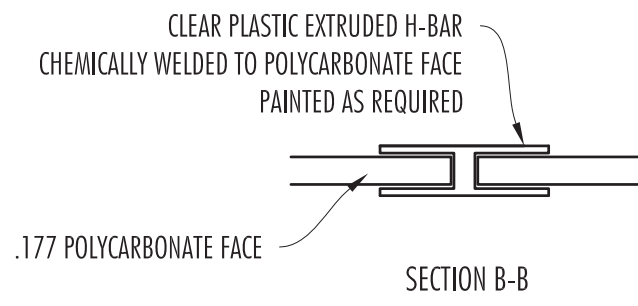
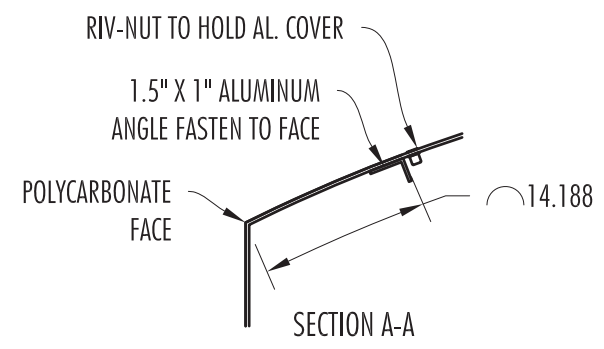
GENERAL NOTES

1. TOLERANCE (UNLESS NOTED)
 • GRAPHICS +/- 1/8" • FACE SIZE + 1/16" - 1/4"
 • CABINET +/- 1/8" • VINYL OVERLAP + 1/8" +/- 1/16"
 • ALL COPY LEVEL UNLESS NOTED OTHERWISE
2. VIEWING DISTANCE 25' TO 50' UNLESS NOTED OTHERWISE
3. PMS COLOR CALLOUT INDICATES USE OF SPRAYLAT MIX SYSTEM
4. NO DEVIATION OR MATERIAL SUBSTITUTION WITHOUT ECN.
5. ALL ELECTRICAL SIGNS TO COMPLY WITH UL 48

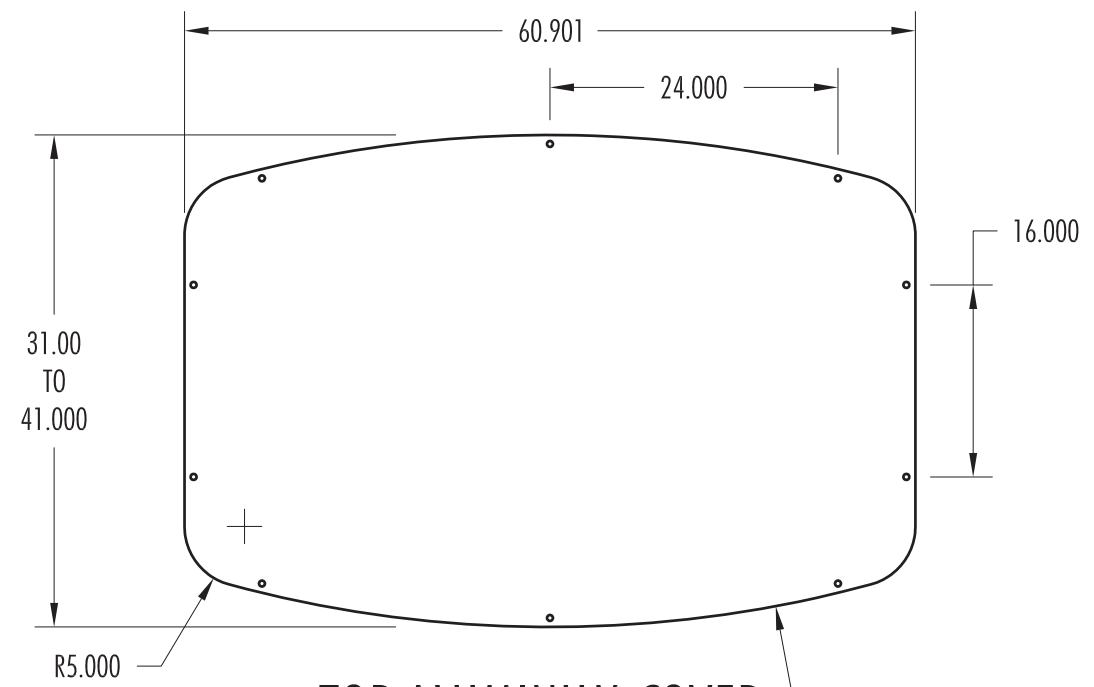
DESCRIPTION
ARCO VALANCE
 28 1/2"(H) x 62"(W) x 20 1/2"(D)
 FORMED FACE REPRESENTATION
 WITH GRAPHICS APPLIED
 SIDE B

DRAWN BY: **J.MORALES** CHECKED BY:
 CLIENT: **ARCO**
 LOCATION: **VARIOUS**
 QUOTE: **VARIOUS** DATE: **05/31/14**
 DRAWING/PART # **AM62VAL41G** REV. **A** SHEET # **6 OF 7**

This document reflects trade secrets and confidential business information, and may not be copied, published, or disseminated in any manner without the prior express written approval of SignResource. All rights reserved, including patent, trademark and copyrights.



FRONT VIEW
 SHAPE WILL VARY BASED ON PETROLUUM ACCOUNT



TOP ALUMINUM COVER
 FLAT VIEW

REVISION HISTORY:

| REV | DATE | REQUESTED BY | UPDATED BY |
|----------------------|------|--------------|------------|
| REVISION DESCRIPTION | | | |

PARTS LIST:

| ITEM | DECORATION |
|---------------|------------|
| A | |
| B | |
| C | |
| D | |
| MATERIAL LIST | |
| 1 | |
| 2 | |
| 3 | |
| 4 | |
| 5 | |

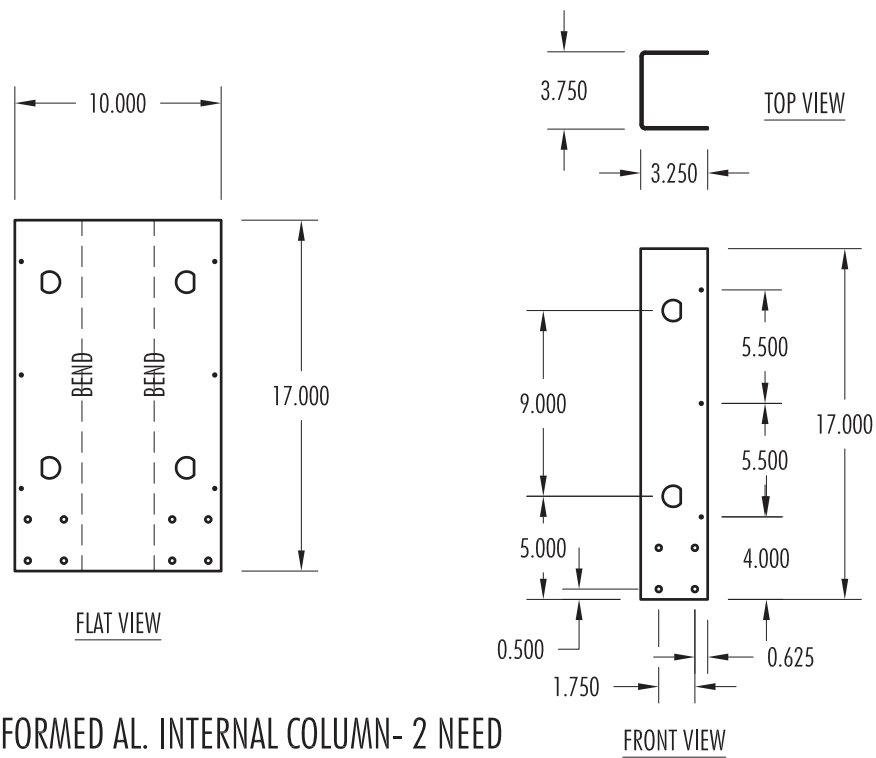
GENERAL NOTES

1. TOLERANCE (UNLESS NOTED)
 • GRAPHICS +/- 1/8" • FACE SIZE + 1/16" - 1/4"
 • CABINET +/- 1/8" • VINYL OVERLAP + 1/8" +/- 1/16"
 • ALL COPY LEVEL UNLESS NOTED OTHERWISE
2. VIEWING DISTANCE 25' TO 50' UNLESS NOTED OTHERWISE
3. PMS COLOR CALLOUT INDICATES USE OF SPRAYLAT MIX SYSTEM
4. NO DEVIATION OR MATERIAL SUBSTITUTION WITHOUT ECN.
5. ALL ELECTRICAL SIGNS TO COMPLY WITH UL 48

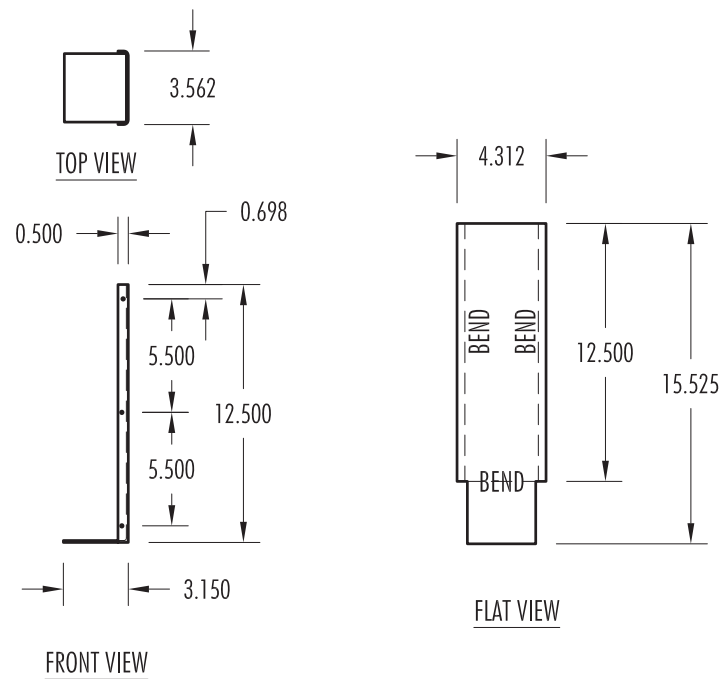
DESCRIPTION
ARCO VALANCE
 28 1/2"(H) x 62"(W) x 20 1/2"(D)
 FORMED FACE REPRESENTATION
 WITH GRAPHICS APPLIED
 SIDE B

DRAWN BY: **J.MORALES** CHECKED BY:
 CLIENT: **ARCO**
 LOCATION: **VARIOUS**
 QUOTE: **VARIOUS** DATE: **05/31/14**
 DRAWING/PART # **AM62VAL41G** REV. **A** SHEET # **7 OF 7**

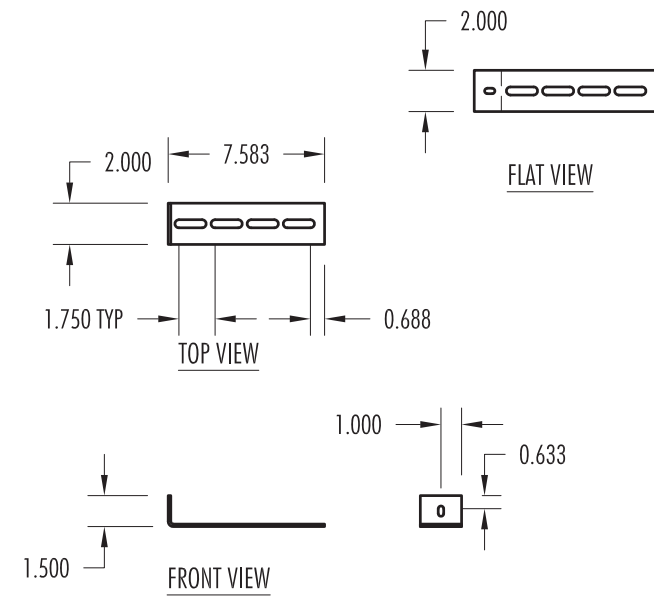
This document reflects trade secrets and confidential business information, and may not be copied, published, or disseminated in any manner without the prior express written approval of SignResource. All rights reserved, including patent, trademark and copyrights.



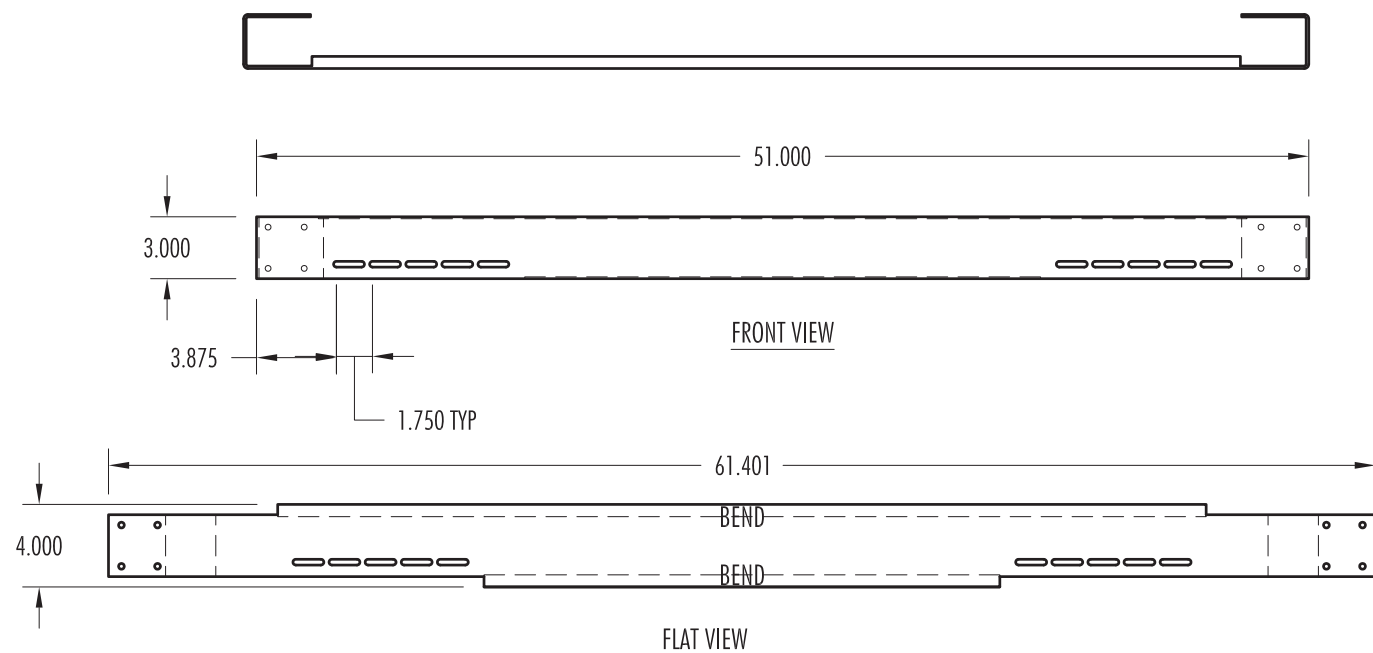
.090 FORMED AL. INTERNAL COLUMN- 2 NEED



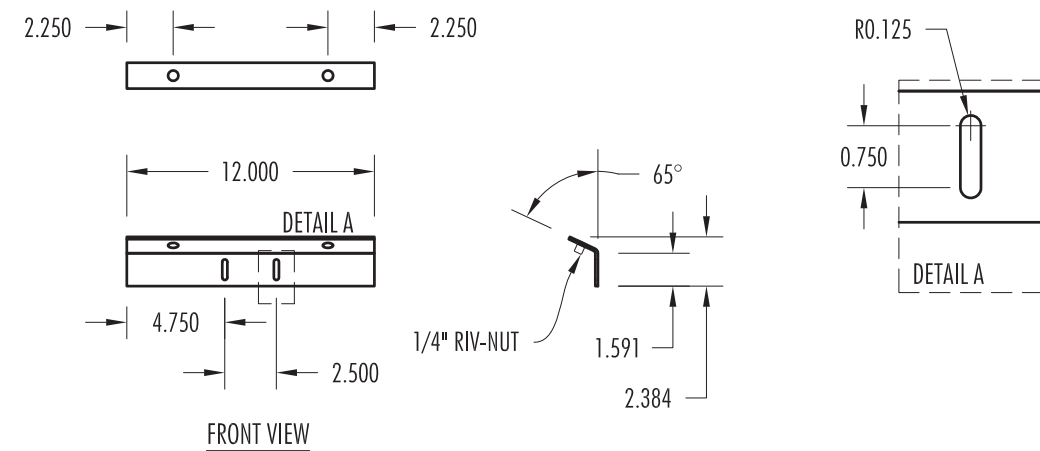
.090 FORMED ALUMINUM COLUMN COVER- 2 NEED



.125 FORMED ALUMINUM ANGLE- 4 NEED



.125 FORMED ALUMINUM MOUNTING RAIL- 2 NEED



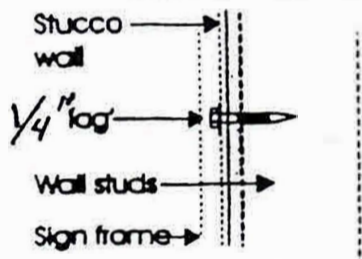
.125 FORMED MOUNTING ANGLES- 2 NEED

All signs shall be UL listed

all signs will have a minimum of four screws per letter

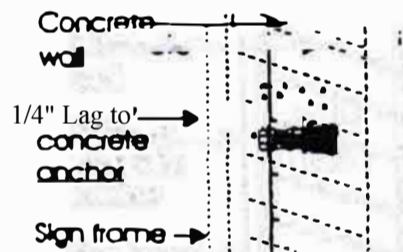
Wall Sign attachments

Stucco exterior wall
wood framed walls



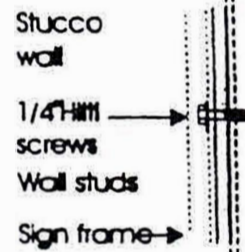
Typical 1/4" x 3 1/2" lags
screws set in per drilled
holes, to wood studs

Concrete exterior walls



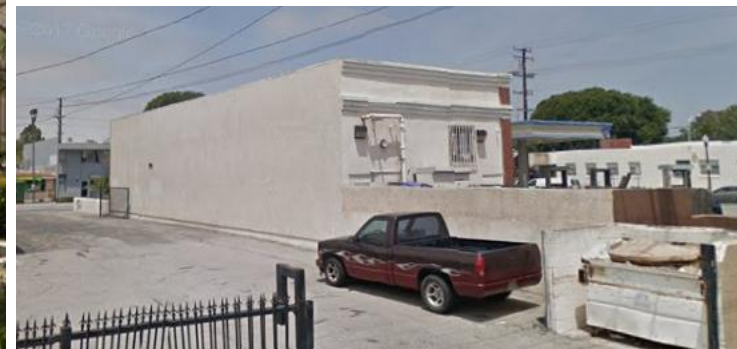
Typical 2 inch long Star lead
expanding concrete anchors
set in per drilled holes, to
concrete walls

Dryit exterior wall
metal framed walls



Typical 1/4" Hilti self tapping
screws thru dryit to metal
wall studs

ARCO
Service Station
700 South Oxnard Blvd
PZ 17-110-03
Downtown Design Review Permit

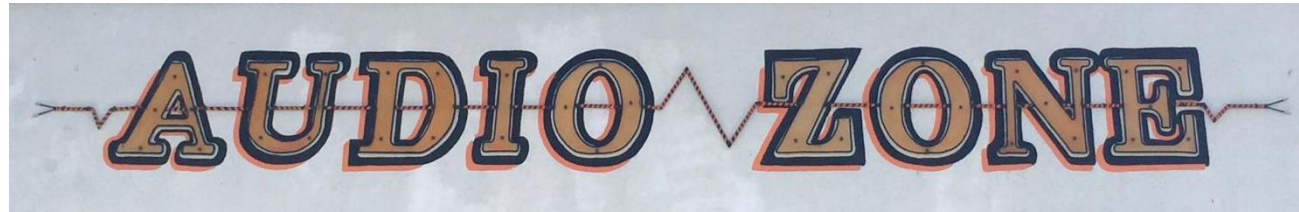


Scanned with Google

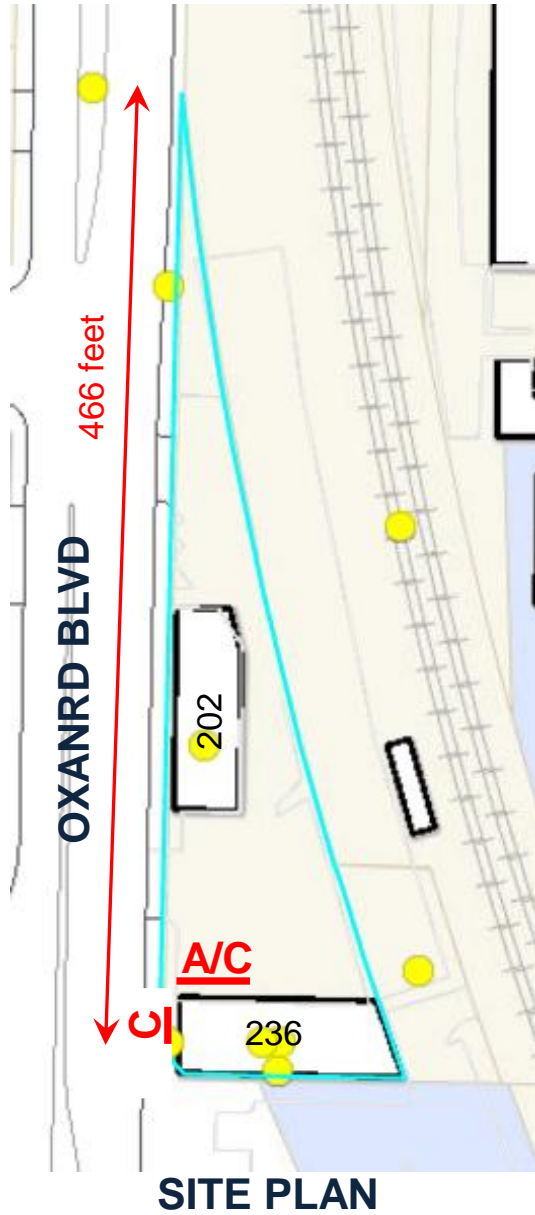


Audio Zone
236 South Oxnard Blvd

SIGN A and C 2' X 25'



SIGN B 15" X 16'



PROPOSED SIGNS

SIGN C: 2' X 25' = 50 SF

SIGN A = 2' X 25' = 50 SF

SIGN B = 15" X 16'-0" 20' SF

TOTAL 120 SF

LETTERING:

MADE OF LEXAN PVC MATERIAL, 24" TALL
FONT TYPE: TIMES NEW ROMAN

LINE IN BETWEEN
FONT, MADE FROM
PVC PIPE,

PAINTED IN 2 TONES

SIGN A

24"

AUDIO ZONE

25'-0"

All securely mounted

Screwed &
Bolted with 1/2
SPACERS TO WALL

1 1/2"

AUDIO • VIDEO • SECURITY • ACCESSORIES

BLACK 2" STRIPE 16'-0" PAINTED ON WALL

RAISED 7" WOOD LETTERS.

NOT MOUNTED TO LETTERS

Audio Zone
236 South Oxnard Blvd

95-feet
North Elevation

37-feet
West Elevation



Permit Sign A and B installed without permit and permit new Sign C
On west elevation

36

AUDIO ZONE

AUDIO • VIDEO • SECURITY & ACCESSORIES

Window Tinting

CAR STEREO

805 663 1390

